



## Sound-proof Central Granulator

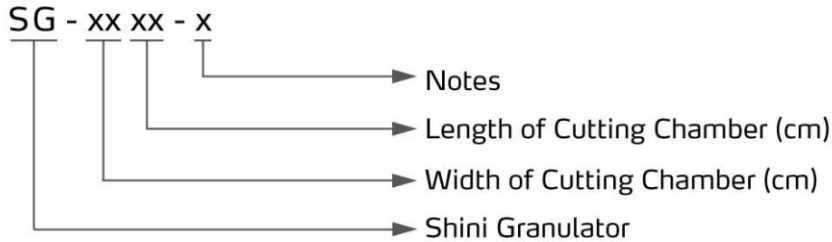
SG-3650



Refer carefully to this manual before operation.

# SG-23/30/36

## ■ Coding Principle



SG-3060

## ■ Features

- SG-23 series adopts staggered blades, it can decentralize working load when granulating to increase cutting efficiency, Blade retainer is designed for quick blade replacement without readjustment.
- SG-30 and SG-36 series adopts paddle blades. It allows increased efficiency and reduced energy consumption.
- Blades adopt imported steel to ensure high quality and high durability.
- Full-closed design and sound-proofing ensure low noise level.
- Equipped with electrical current relay, motor overload protector and multiple safety devices.
- Cyclone dust separator can effectively remove the air from regrind and facilitates the material collecting.
- Dust collecting bag brings easiness for dust cleaning and reduce contamination.
- Regrind conveying system as standard.
- SG-36 series adopts anti-vibration pads to absorb vibration during operation.
- For SG-30/36, cooling water device at the rear plate of the cutting chamber can effectively cool down the cutting chamber and prevent materials from melting-up.
- SG-30/36 series equipped with presetting knife jig, rotating blades can be adjusted in the fixture outside the machine instead of machine inside. It made blades adjustment much easier.
- SG-36 series equipped with flywheel to improve cutting ability.



Paddle Blades



Staggered Blades



Presetting Knife Jig

## ■ Application

SG-23/30/36 series sound-proof central granulators are suitable for centralized recycling of wastes or rejected parts from injection molding, blow molding or extrusion lines. The machines feature optimized structure, easy operation, and quick blades replacement. Staggered rotating blades can easily grab and cut materials. This design makes the machine work more efficiently and can reduce waste of energy to the minimum. This granulator has various models with wide application ranges to meet different customers' demand.

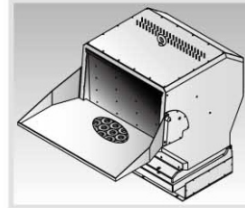
## Options

### Full-receiver Alarm Device



Full-receive alarm device helps to realize unmanned operation and no materials will be wasted. Whenever the regrind level reaches the motor position, the machine will be forced to stop and be cut off via its sensor, thus stop the granulator and warn the user by sounding an alarm. Applicable to SG-23/30/36/43/50/70. Add "FAD" at the end of the model code;

### Feed Hopper with Magnet



Feed hopper with magnet is used to take out metal craps and impurities in the material. Add "FHM" at the end of the model code;

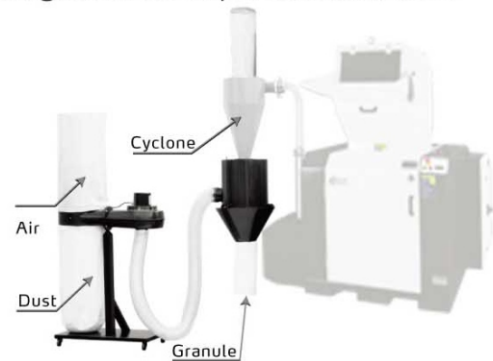
### Special Screens



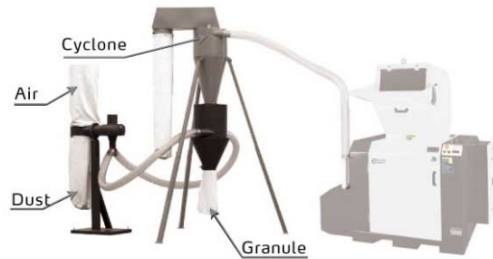
Special screen mesh sizes:  $\Phi 4, \Phi 6, \Phi 10, \Phi 12$ (mm) for SG-23/30 series,  $\Phi 8, \Phi 12, \Phi 17, \Phi 25$ (mm) for SG-36 series. Add "SS + screen diameter" at the end of the model code, e.g.:  $\Phi 6$ mm , add "SS06".

### Dust Separator

Work with cyclone dust separator to recycle the granule and separate it from dust.



DS-23/30



DS-36/43/50

Dust Separator can separate the dust in the regrind for immediate recycle use. The dust will be kept in filter bag, thus working environment will remain clean. This device ensures full use of regrind to avoid material wasting and enhance the economy returns.



### Feeding Hopper for Conveyor

Material feeding for large granulators is quite a difficult matter. They are generally installed at a lower place or a platform must be built for material feeding. Shini particularly designed the belt conveyor to easily convey the material into the cutting chamber of SG-36 series. Add "BCF" at the end of the model code.



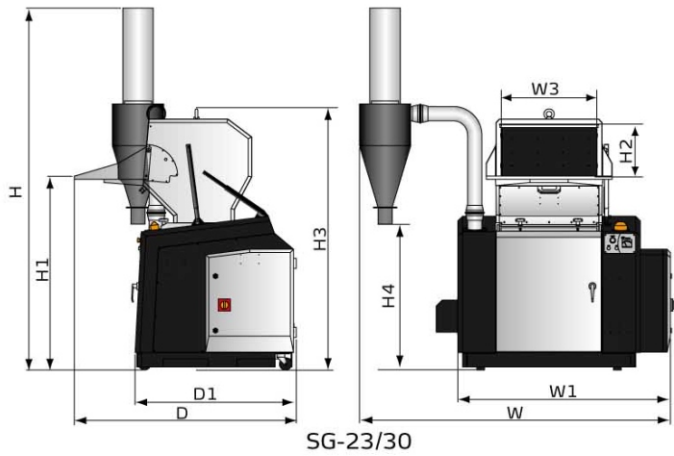
### Material Side Feed Pipe

The design of feeding hopper of traditional granulators is not suitable for long pipes and section bars. We have designed material side feed pipe for convenient feeding of long materials. It's optional for SG-36. Add "SF" at the end of the model code.

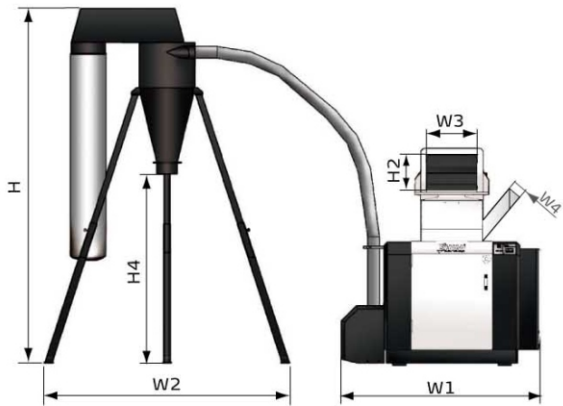
- The function of fiber reinforced material granulating is optional. Adopt surface-hardening treatment on the material contacting component. And blade material is V-4E joint with S50C. Add "F" at the end of the model code;
- Power increased blower enables material conveying in longer distance, at "EC" at the end of the model code.
- For stainless steel made feed hopper cover plate and storage tank, Add "R" at end of the model code.

# SG-23/30/36

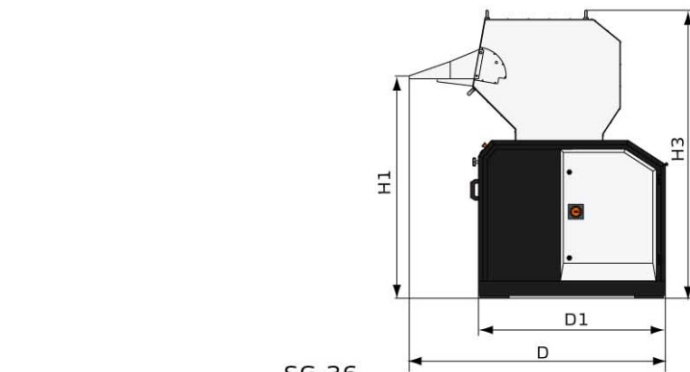
## Outline Drawings



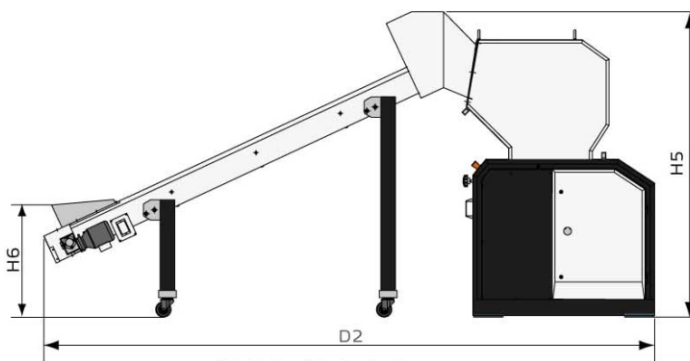
SG-23/30



SG-36



SG-36



SG-36 with Belt Conveyor

## SG-36 Specifications

Model	SG-3650	SG-3675	
Motor Power (kW, 50/60Hz)	18.5	30	
Rotating Speed (rpm, 50/60Hz)	540/650	540/650	
Conveying Blower (kW, 50/60Hz)	1.1/1.3	1.5/1.9	
Material of Blades	SKD11	SKD11	
Quantity of Fixed Blades	2	4	
Quantity of Rotating Blades	6	6	
Cutting Chamber	mm	360 × 500	
	inch	14.2 × 19.7	
Max. Output	kg/hr	620	
	lb/hr	1367	
Noise Level dB(A)	100-105	100-105	
Screen	Φ10mm/Φ0.39"	Φ10mm/Φ0.39"	
Increased Conveying Blower power (kW)	○ (1.5)	○ (2.2)	
Dimensions	H	mm	3155
		inch	124.2
	H1	mm	1980
		inch	78
	H2	mm	1520
		inch	59.8
	H3	mm	2100
		inch	82.7
	W	mm	1260
		inch	49.6
	W1	mm	2120
		inch	83.5
	W2	mm	480
		inch	18.9
	W3	mm	190
		inch	7.5
	W4	mm	133×133
		inch	5.2×5.2
	D	mm	1715
		inch	67.5
D1	mm	1250	
	inch	49.2	
D2	mm	4200	
	inch	165.4	
Weight	kg	1480	
	lb	3262	

- Notes: 1) "○" stands for optional.  
 2) SKD11 is steel grade of Japanese JIS standard.  
 3) Max. capacity of the machine is subject to diameter of screen mesh size and composition of material.  
 4) Noise level varies with different materials and motor types.  
 5) To avoid plastic from sticking to the blades, all materials should be crushed at normal temperature.  
 6) Power supply : 3Φ, 230/400/460/575VAC, 50/60Hz.

## SG-23/30 Specifications

Model		SG-2324	SG-2336	SG-2348	SG-3048	SG-3060
Motor Power (kW, 50/60Hz)		5.5/6.3	7.5/8.6	11/12.6	11/12.6	15/17.3
Rotating Speed (rpm, 50/60Hz)		415/500	415/500	415/500	415/500	415/500
Conveying Blower (kW, 50/60Hz)		0.55/0.66	0.55/0.66	0.55/0.66	0.55/0.66	0.55/0.66
Material of Blades		SKD11	SKD11	SKD11	SKD11	SKD11
Blade Type		Staggered	Staggered	Staggered	Paddle	Paddle
Quantity of Fixed Blade		2	2	2	2	2
Quantity of Rotating Blade		3 × 2	3 × 3	3 × 4	3	3
Cutting Chamber	mm	230 × 240	230 × 360	230 × 480	230 × 480	300 × 600
	inch	9.0 × 9.5	9.0 × 14.2	9.0 × 18.9	9.0 × 18.9	11.8 × 23.6
Max. Output	kg/hr	90	120	150	185	220
	lb/hr	198	265	331	408	485
Noise Level dB(A)		90-95	90-95	90-95	90-95	90-95
Screen		Φ8mm	Φ8mm	Φ8mm	Φ8mm	Φ8mm
Dimension	H (mm)	mm	2210	2210	2210	2210
		inch	87	87	87	87
	H1 (mm)	mm	265	265	265	360
		inch	10.4	10.4	10.4	14.2
	H2 (mm)	mm	1175	1175	1175	1210
		inch	46.3	46.3	46.3	47.6
	W (mm)	mm	1340	1460	1580	1580
		inch	52.8	57.5	62.2	62.2
	W1 (mm)	mm	780	900	1020	1020
		inch	30.7	35.4	40.2	40.2
	W2 (mm)	mm	190	190	190	190
		inch	7.5	7.5	7.5	7.5
	D (mm)	mm	1245	1245	1245	1245
		inch	49.0	49.0	49.0	49.0
	D 1(mm)	mm	915	915	915	1010
		inch	36.0	36.0	36.0	39.8
D 2(mm)	mm	520	520	520	570	
	inch	20.5	20.5	20.5	22.4	
Weight	kg	470	520	600	700	
	lb	1036	1146	1323	1543	

- Notes: 1) SKD11 is steel grade of Japanese JIS standard.  
 2) Max. capacity of the machine is subject to diameter of screen mesh and composition of material.  
 3) Noise level varies with different materials and motor types.  
 4) To avoid plastic from sticking to the blades, all materials should be crushed at normal temperature.  
 5) Power supply : 3Φ, 230/400/460/575VAC, 50/60Hz.

We reserve the right to change specifications without prior notice.

## Shini Group

Addr: No. 23, Minhe St., Shulin Dist.,  
New Taipei, Taiwan

Tel: +886 2 2680 9119

Fax: +886 2 2680 9229

Email: [shini@shini.com](mailto:shini@shini.com)

### Factories:

- Taiwan
- Dongguan
- Pinghu
- Ningbo
- Chongqing
- Pune

2015-12-15-04 Copyrights Reserved.

[www.shini.com](http://www.shini.com)