

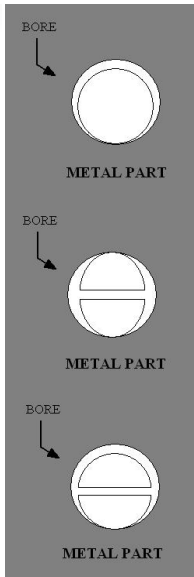
Split Cartridge Heaters



Through the split-sheath design, **split cartridge heaters** reduce your total cost of process heating by an average of 40% over other heaters. Split Cartridge Heaters expand when energized to maximize heat transfer through greater contact with the wall of the bore. Better heat transfer means less power is consumed to maintain the set point temperature, reducing operating costs.

The heater construction eliminates ceramic cores typically found in conventional cartridge heaters. Development and highly-specialized manufacturing techniques to compact high-grade MgO dielectric to its near theoretical maximum around the heater coil, which increases dielectric strength and heat transfer away from the coil which results in significantly longer heater life.

These cartridge heaters last up to 5 times longer than conventional heaters with less downtime for heater replacements and lower maintenance costs. The heaters contract when de-energized, eliminating bore seizure and the need for expensive drill-outs.



Energized Conventional Cartridge Heater:

Conventional cartridge heaters, limited to ordinary thermal expansion, cannot compensate for oversized bores.

Energized Split Heater:

The unique bilateral expansion of an energized heater produces superior metal-to-metal contact with the surrounding bore, thereby maximizing heat transfer.

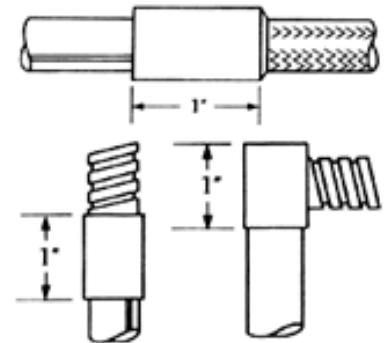
De-Energized Split Heater:

De-energized heater contracts for easy insertion and slide-out removal from bore.



Straight and Right-Angle Headers

Watt-Flex	Header O.D.	Hose O.D.
1/4"	3/8"	11/32"
3/8"	1/2"	11/32"*
1/2"	5/8"	1/2"
5/8"	3/4"	1/2"
3/4"	7/8"	1/2"
1"	1 1/8"	5/8"



* 3/8" diameter right angle header with high-temperature leads has 1/2" hose O.D.