

OP10 Compact Setting Display Unit for SRZ Series

Home Page > Application Information - SRZ > OP10 Compact Setting Display Unit

DIN rail Mounting OP10 in a Panel



for Module type
Digital Temperature
Controller SRZ
Series

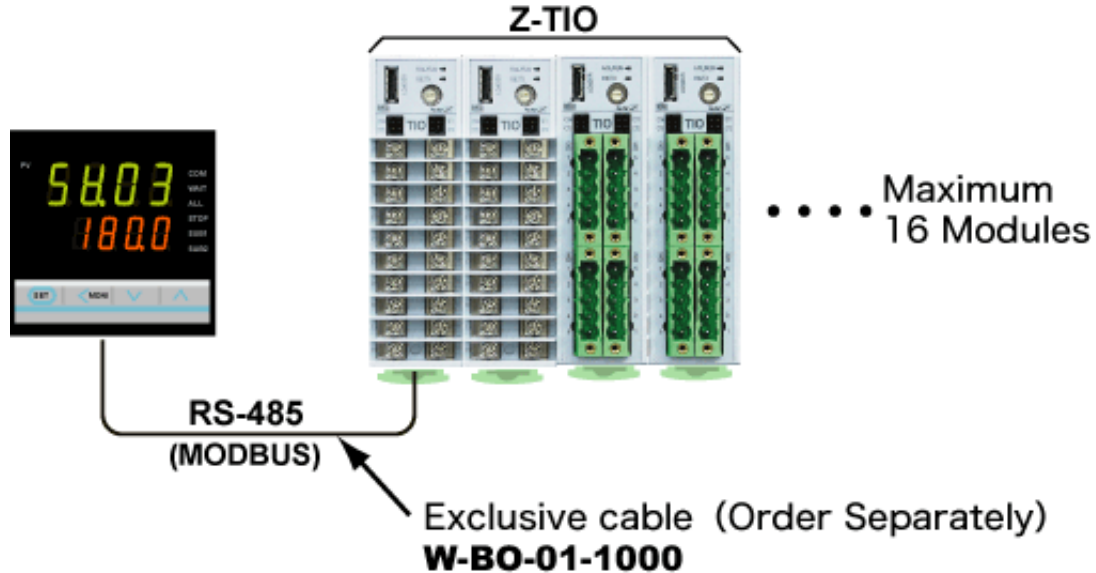


OP10 16th DIN compact setting display unit with an optional DIN rail mounting socket. The socket allows for quick and easy mounting. Maintenance is simple as the unit can be easily separated from the socket.

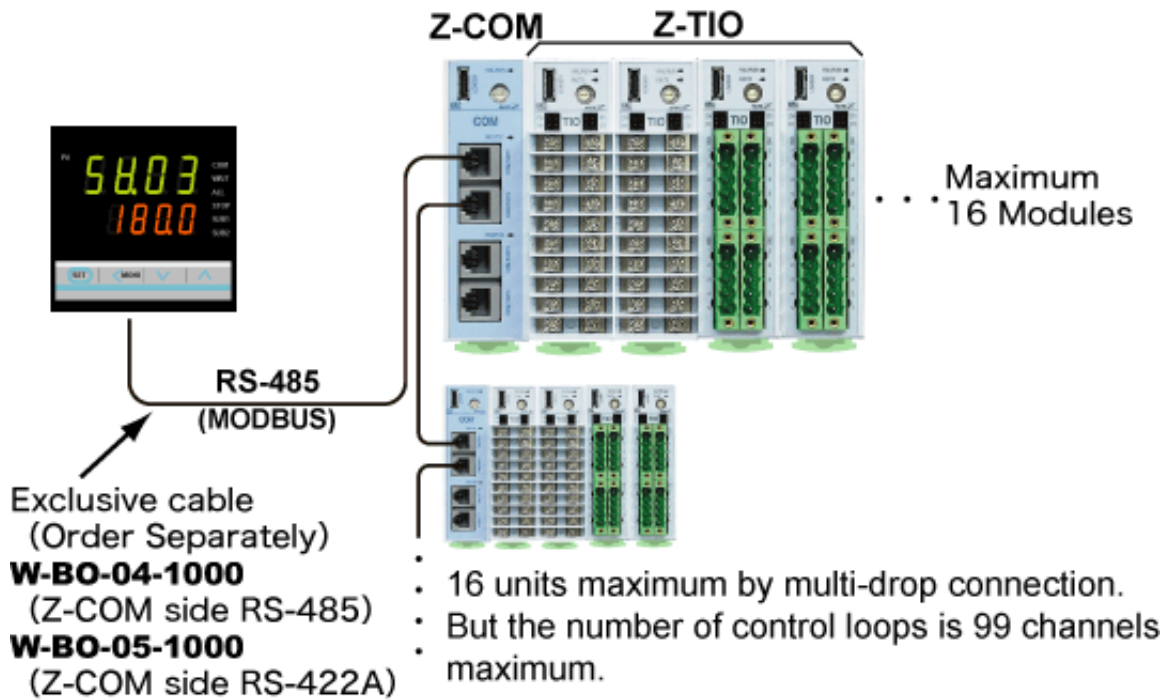
About a connectable module except the SRZ Series

- V-TIO-E, V-TIO-F of the module type temperature controller **SRV Series**. (Only RS-422A)
- H-PCP-J of the module type temperature controller **SR Mini HG Series**. (RS-422A or RS-485)

Connection Example of a SRZ Series Z-TIO Module

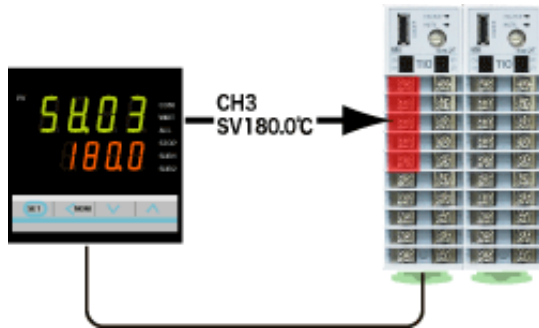


Connection Example of a SRZ Series Z-COM Module

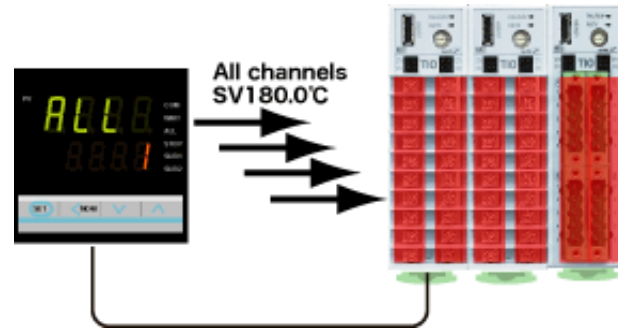


Setting Example

Changed Set Value



Changed all channels Set Value

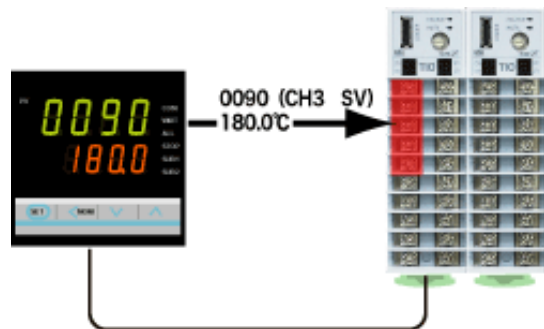


Setting Items

Level 1 : Set Value (SV)

Level 2 : Event 1 set value, Event 2 set value, Proportional band, Integral time, Derivative time, Proportional band [Cool-side], Autotuning, PV bias

Example MODBUS Register Address



A user appoints an arbitrary MODBUS register address and can do setting of data.