

1 inch NPT Screw Plug Immersion

Material			E	F	H
Brass			3/16	3/8	1 3/8
Steel & Stainless			1 1/2	3/8	1 15/16
20-23 Watts/Sq. Inch					
Immersed Length "B"	Watts	Volts Single Phase	BRASS PLUG Oils & Alkali Solutions	STAINLESS PLUG Air & Corrosive	Net Wt. (lbs.)
6 1/2	250	120 240	EM1-250-1 EM1-250-2	AM1-250-1 AM1-250-2	1.5
9 1/2	375	120 240	EM1-375-1 EM1-375-2	AM1-375-1 AM1-375-2	1.5
12 1/2	500	120 240	EM1-500-1 EM1-500-2	AM1-500-1 AM1-500-2	1.75
13 1/2	750	120 240	EM1-750-1 EM1-750-2	AM1-750-1 AM1-750-2	1.75
16 3/4	1000	120 240	EM1-1000-1 EM1-1000-2	AM1-1000-1 AM1-1000-2	1.75
23 3/4	1500	120 240	EM1-1500-1 EM1-1500-2	AM1-1500-1 AM1-1500-2	2
60-86 Watts/Sq. Inch					
Immersed Length "B"	Watts	Volts Single Phase	BRASS PLUG Water Solutions	STAINLESS PLUG Mild Corrosive	Net Wt. (lbs.)

6 ³/₈	500	120 240	CH1-500-1 CH1-500-2	AH1-500-1 AH1-500-2	1.5
	750	120 240	CH1-750-1 CH1-750-2	AH1-750-1 AH1-750-2	1.5
	1000	120 240	CH1-1000-1 CH1-1000-2	AH1-1000-1 AH1-1000-2	1.5
8 ¹/₂	1250	120 240	CH1-1250-1 CH1-1250-2	AH1-1250-1 AH1-1250-2	1.5
9 ¹/₄	1500	120 240	CH1-1500-1 CH1-1500-2	AH1-1500-1 AH1-1500-2	1.5
12 ¹/₄	2000	120 240	CH1-2000-1 CH1-2000-2	AH1-2000-1 AH1-2000-2	1.75
13 ⁷/₈	2500	120 240	CH1-2500-1 CH1-2500-2	AH1-2500-1 AH1-2500-2	1.75
15 ⁵/₈	3000	120 240	CH1-3000-1 CH1-3000-2	AH1-3000-1 AH1-3000-2	1.75
16 ³/₄	4000	120 240	CH1-4000-1 CH1-4000-2	AH1-4000-1 AH1-4000-2	2

1 ¼ inch NPT Screw Plug Immersion

Material	E	F	H
Brass	1 ¼	⅜	1 ¾
Steel & Stainless	1 ⅜	9/16	1 ¾

20-23 Watts/Sq. Inch - Oil, Mild Corrosives, Air

Immersed Length "B"	Watts	Volts Single Phase	BRASS PLUG Oils & Alkali Solutions	STAINLESS PLUG Air & Corrosive	Net Wt. (lbs.)
6 3/16	500	120 240	FM2-500-1 FM2-500-2	GM2-500-1 GM2-500-2	1.5
9 3/16	750	120 240	FM2-750-1 FM2-750-2	GM2-750-1 GM2-750-2	1.5
12 3/16	1000	120 240	FM2-1000-1 FM2-1000-2	GM2-1000-1 GM2-1000-2	1.75
16 1/8	1250	120 240	FM2-1250-1 FM2-1250-2	GM2-1250-1 GM2-1250-2	1.75
19 1/4	1500	120 240	FM2-1500-1 FM2-1500-2	GM2-1500-1 GM2-1500-2	1.75
25 3/8	2000	120 240	FM2-2000-1 FM2-2000-2	GM2-2000-1 GM2-2000-2	2
36 5/8	3000	120 240	FM2-3000-1 FM2-3000-2	GM2-3000-1 GM2-3000-2	

60-86 Watts/Sq. Inch - Water & Mild Solutions

Immersed Length "B"	Watts	Volts Single Phase	BRASS PLUG Water Solutions	STAINLESS PLUG Mild Corrosive	Net Wt. (lbs.)
6 ¼	500	120 240	DH1-500-1 DH1-500-2	GH1-500-1 GH1-500-2	4
	750	120 240	DH1-750-1 DH1-750-2	GH1-750-1 GH1-750-2	4
	1000	120 240	DH2-1000-1 DH2-1000-2	GH2-1000-1 GH2-1000-2	4
	1500	120 240	DH2-1500-1 DH2-1500-2	GH2-1500-1 GH2-1500-2	4
	2000	120 240	DH2-2000-1 DH2-2000-2	GH2-2000-1 GH2-2000-2	4
8 ¾	2500	120 240	DH2-2500-1 DH2-2500-2	GH2-2500-1 GH2-2500-2	5
9 ½	3000	120 240	DH2-3000-1 DH2-3000-2	GH2-3000-1 GH2-3000-2	5
12 ½	4000	240	DH2-4000-2	GH2-4000-2	5
22 ¼	5000	240	DH2-5000-2	GH2-5000-2	6
26 ¾	6000	240	DH2-6000-2	GH2-6000-2	6

2 inch NPT Screw Plug Immersion

Material	E	F	H
Brass	1 ¼	⅜	1 ¾
Steel & Stainless	1 ⅜	9/16	1 ¾

23 Watts/Sq. Inch - 3 elements					
Immersed Length "B"	KW	Volts	STEEL PLUG Oils & Alkali Solutions	STAINLESS PLUG Air & Corrosive	Net Wt. (lbs.)
11 ⅞	2.25	240 480	LM3-22-3 LM3-22-5	NM3-22-3 NM3-22-5	9
17 ½	3	240 480	LM3-30-3 LM3-30-5	NM3-30-3 NM3-30-5	9
19 ¾	3.75	240 480	LM3-37-3 LM3-37-5	NM3-37-3 NM3-37-5	10
24 ⅝	4.5	240 480	LM3-45-3 LM3-45-5	NM3-45-3 NM3-45-5	10
32 ⅝	6	240 480	LM3-60-3 LM3-60-5	NM3-60-3 NM3-60-5	12
40 ¼	7.5	240 480	LM3-75-3 LM3-75-5	NM3-75-3 NM3-75-5	13
47 ½	9	240 480	LM3-90-3 LM3-90-5	NM3-90-3 NM3-90-5	15

51 ³/₈	10	240 480	LM3-100-3 LM3-100-5	NM3-100-3 NM3-100-5	16
64 ¹/₂	12.5	240 480	LM3-125-3 LM3-125-5	NM3-125-3 NM3-125-5	18
77 ¹/₂	15	240 480	LM3-150-3 LM3-150-5	NM3-150-3 NM3-150-5	21

48 Watts/Sq. Inch - 3 elements					
Immersed Length "B"	KW	Volts	BRASS PLUG Water Solutions	STAINLESS PLUG Mild Corrosives	Net Wt. (lbs.)
8 ¹/₄	3	240 480	HH3-30-3 HH3-30-5	NH3-30-3 NH3-30-5	8
9 ³/₄	3.75	240 480	HH3-37-3 HH3-37-5	NH3-37-3 NH3-37-5	9
12 ¹/₄	4.5	240 480	HH3-45-3 HH3-45-5	NH3-45-3 NH3-45-5	9
17 ¹/₂	6	240 480	HH3-60-3 HH3-60-5	NH3-60-3 NH3-60-5	9
19 ¹/₄	7.5	240 480	HH3-75-3 HH3-75-5	NH3-75-3 NH3-75-5	10
24 ⁵/₈	9	240 480	HH3-90-3 HH3-90-5	NH3-90-3 NH3-90-5	10

32 ½	12	240 480	HH3-120-3 HH3-120-5	NH3-120-3 NH3-120-5	12
40¼	15	240 480	HH3-150-3 HH3-150-5	NH3-150-3 NH3-150-5	13
47 ½	18	240 480	HH3-180-3 HH3-180-5	NH3-180-3 NH3-180-5	15
51 ¾	20	240 480	HH3-200-3 HH3-200-5	NH3-200-3 NH3-200-5	16
23 Watts/Sq. Inch - 2 elements					
Immersed Length "B"	KW	Volts	STEEL PLUG Oils & Alkali Solutions	STAINLESS PLUG Air & Corrosive	Net Wt. (lbs.)
11 ⅞	1.5	240 480	LM2-15-2 LM2-15-4	NM2-15-2 NM2-15-4	7
17 ½	2	240 480	LM2-20-2 LM2-20-4	NM2-20-2 NM2-20-4	8
19 ¾	2.5	240 480	LM2-25-2 LM2-25-4	NM2-25-2 NM2-25-4	8
24 ⅝	3	240 480	LM2-30-2 LM2-30-4	NM2-30-2 NM2-30-4	9
32 ½	4	240 480	LM2-40-2 LM2-40-4	NM2-40-2 NM2-40-4	9
40 ⅞	5	240 480	LM2-50-2 LM2-50-4	NM2-50-2 NM2-50-4	11
47 ¾	6	240 480	LM2-60-2 LM2-60-4	NM2-60-2 NM2-60-4	11

48 Watts/Sq. Inch - 2 Elements

Immersed Length "B"	KW	Volts	Brass Plug Water Solutions	STAINLESS PLUG Mild Corrosives	Net Wt. (lbs.)
8 1/4	2	240 480	HH2-20-2 HH2-20-4	NH2-20-2 NH2-20-4	7
9 3/4	2.5	240 480	HH2-25-2 HH2-25-4	NH2-25-2 NH2-25-4	7
12 1/4	3	240 480	HH2-30-2 HH2-30-4	NH2-30-2 NH2-30-4	7
17 1/2	4	240 480	HH2-40-2 HH2-40-4	NH2-40-2 NH2-40-4	8
19 1/4	5	240 480	HH2-50-2 HH2-50-4	NH2-50-2 NH2-50-4	8
24 5/8	6	240 480	HH2-60-2 HH2-60-4	NH2-60-2 NH2-60-4	9
32 3/8	8	240 480	HH2-80-2 HH2-80-4	NH2-80-2 NH2-80-4	9
40 1/4	10	240 480	HH2-100-2 HH2-100-4	NH2-100-2 NH2-100-4	11
47 1/2	12	240 480	HH2-120-2 HH2-120-4	NH2-120-2 NH2-120-4	11

2 1/2 inch NPT Screw Plug Immersion

Material	E	F	H
Brass	2 1/16	3/4	3
Steel & Stainless	2 1/6	3/4	3

23 Watts/Sq. Inch - 3 elements					
Immersed Length "B"	KW	Volts	STEEL PLUG Oils & Alkali Solutions	STAINLESS PLUG Air & Corrosive	Net Wt. (lbs.)
11 5/8	2.25	240 480	RM3-22-3 RM3-22-5	TM3-22-3 TM3-22-5	9
17 1/8	3	240 480	RM3-30-3 RM3-30-5	TM3-30-3 TM3-30-5	9
19 1/2	3.75	240 480	RM3-37-3 RM3-37-5	TM3-37-3 TM3-37-5	9
24 3/8	4.5	240 480	RM3-45-3 RM3-45-5	TM3-45-3 TM3-45-5	10
32 3/8	6	240 480	RM3-60-3 RM3-60-5	TM3-60-3 TM3-60-5	12
39 5/8	7.5	240 480	RM3-75-3 RM3-75-5	TM3-75-3 TM3-75-5	13
47 1/8	9	240 480	RM3-90-3 RM3-90-5	TM3-90-3 TM3-90-5	15

51 1/8	10	240 480	RM3-100-3 RM3-100-5	TM3-100-3 TM3-100-5	16
64 1/8	12.5	240 480	RM3-125-3 RM3-125-5	TM3-125-3 TM3-125-5	19
77 1/8	15	240 480	RM3-150-3 RM3-150-5	TM3-150-3 TM3-150-5	22

***May be rewired single phase where less than 45 AMPS per line.**

48 Watts/Sq. Inch - 3 elements					
Immersed Length "B"	KW	Volts	BRASS PLUG Water Solutions	STAINLESS PLUG Mild Corrosives	Net Wt. (lbs.)
8	3	240 480	WH3-30-3 WH3-30-5	TH3-30-3 TH3-30-5	8
9 1/2	3.75	240 480	WH3-37-3 WH3-37-5	TH3-37-3 TH3-37-5	9
12	4.5	240 480	WH3-45-3 WH3-45-5	TH3-45-3 TH3-45-5	9
17 1/4	6	240 480	WH3-60-3 WH3-60-5	TH3-60-3 TH3-60-5	9
19	7.5	240 480	WH3-75-3 WH3-75-5	TH3-75-3 TH3-75-5	10

24 ³/₈	9	240 480	WH3-90-3 WH3-90-5	TH3-90-3 TH3-90-5	10
32 ¹/₈	12	240 480	WH3-120-3 WH3-120-5	TH3-120-3 TH3-120-5	12
39 ⁷/₈	15	240 480	WH3-150-3 WH3-150-5	TH3-150-3 TH3-150-5	13
47 ¹/₄	18	240 480	WH3-180-3 WH3-180-5	TH3-180-3 TH3-180-5	15
51 ¹/₈	20	240 480	WH3-200-3 WH3-200-5	TH3-200-3 TH3-200-5	16

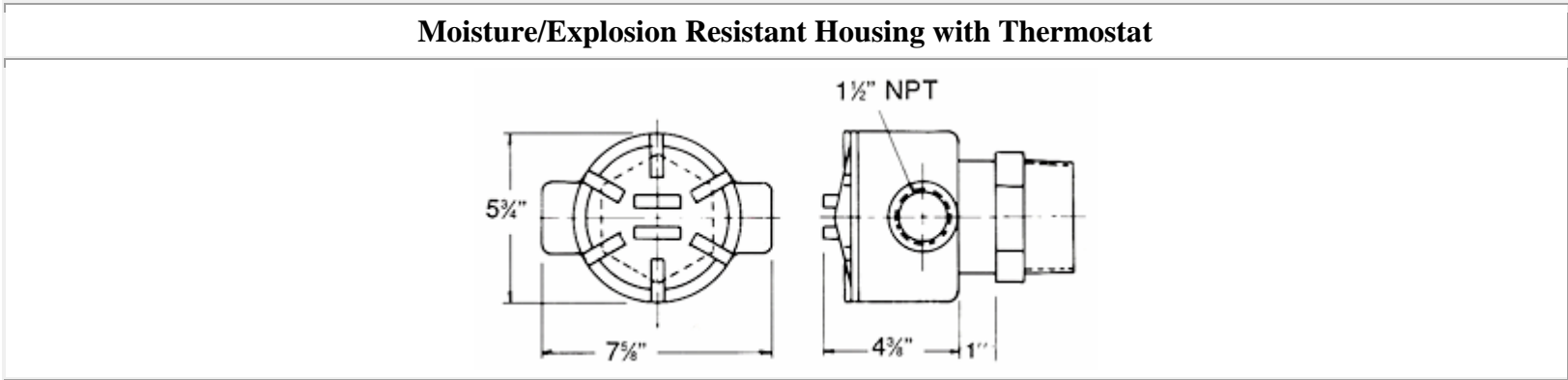
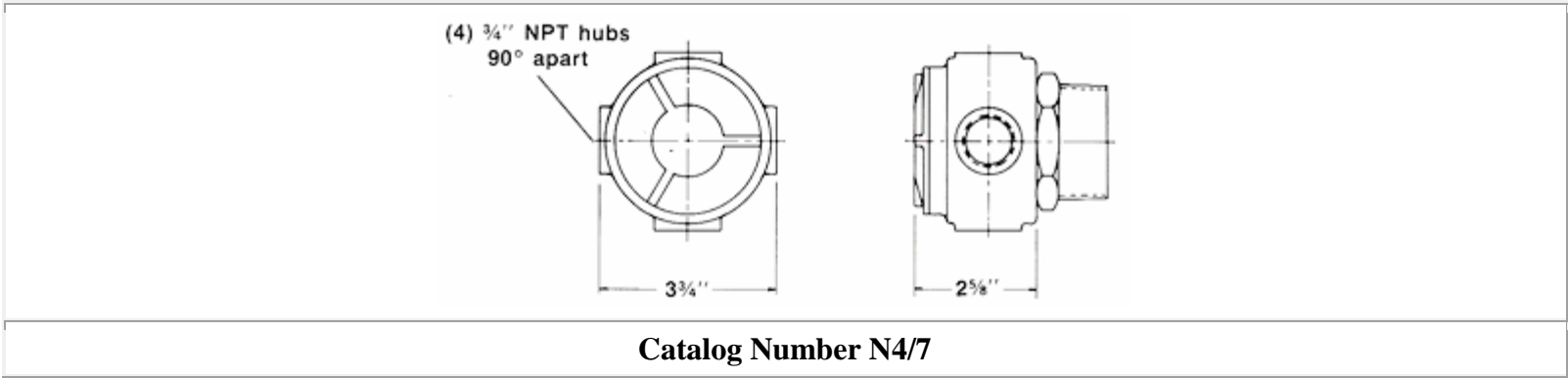
***May be rewired single phase where less than 45 AMPS per line.**

Options Screw Plug Immersion 1" & 1 1/4"

NEMA 1 with Thermostat

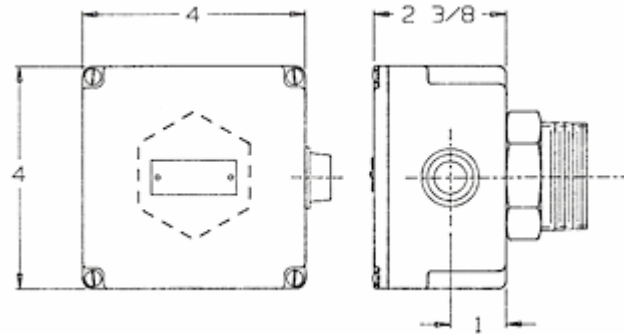
Range	Thermowell Length	No. Poles	Cat. No.
30-110°F	4 1/2"	1	N1T1
60-250°F	4 1/2"	1	N1T2
175-550°F	14"	1	N1T3

Moisture / Explosion Resistant Housing



Range	No. Poles	Cat. No.
30-110°F	1	N4/7T1
60-250°F	1	N4/7T2
175-550°F	1	N4/7T3

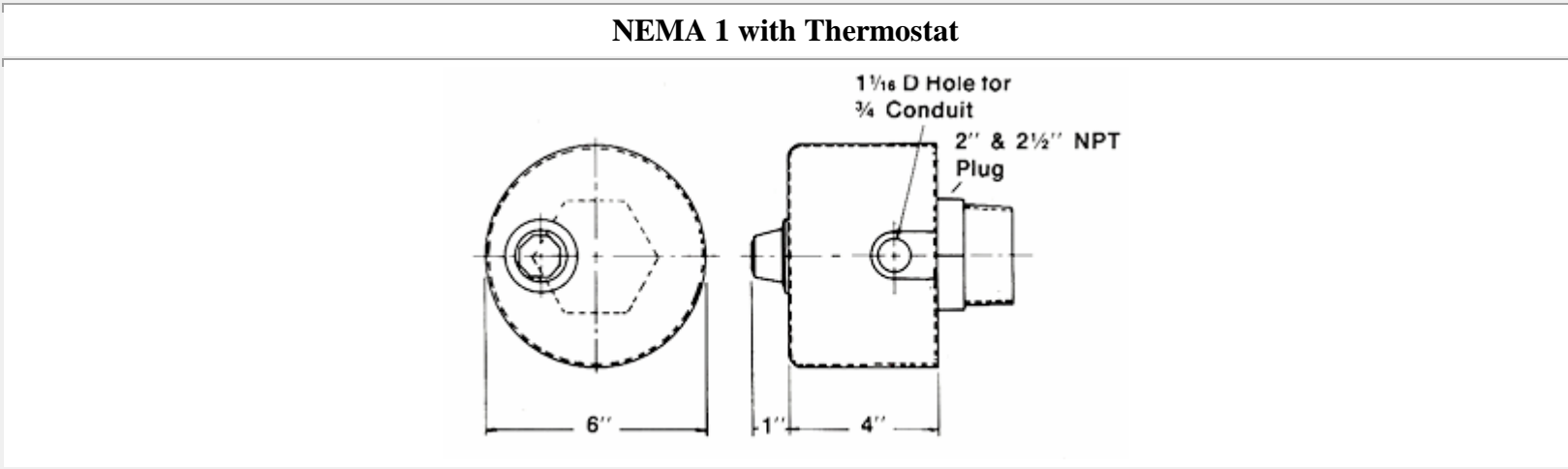
Moisture Resistant Plastic Housing



NEMA 4X

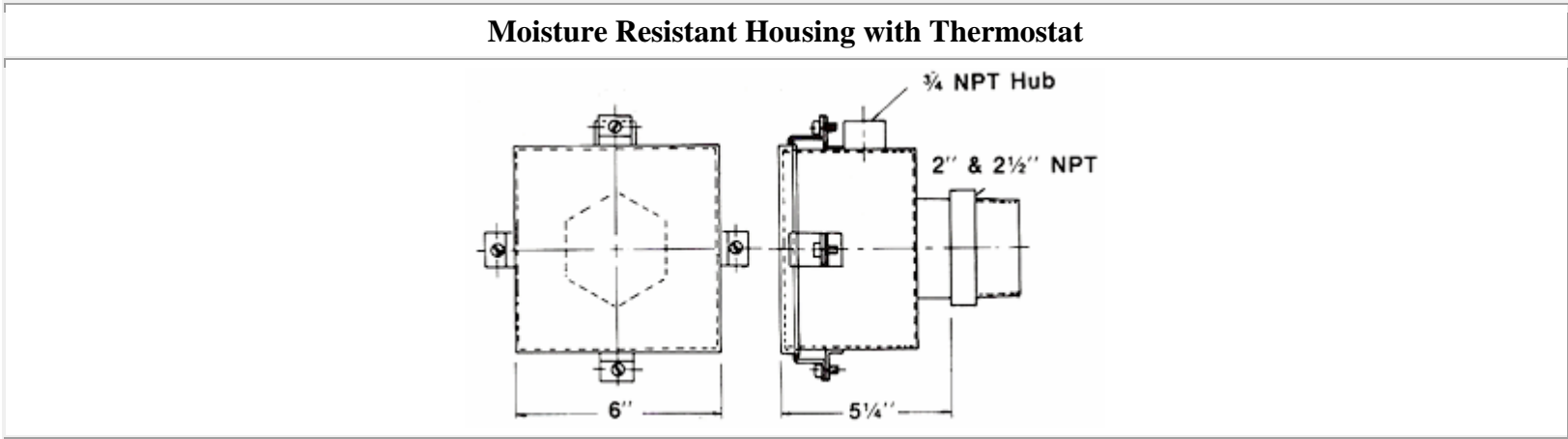
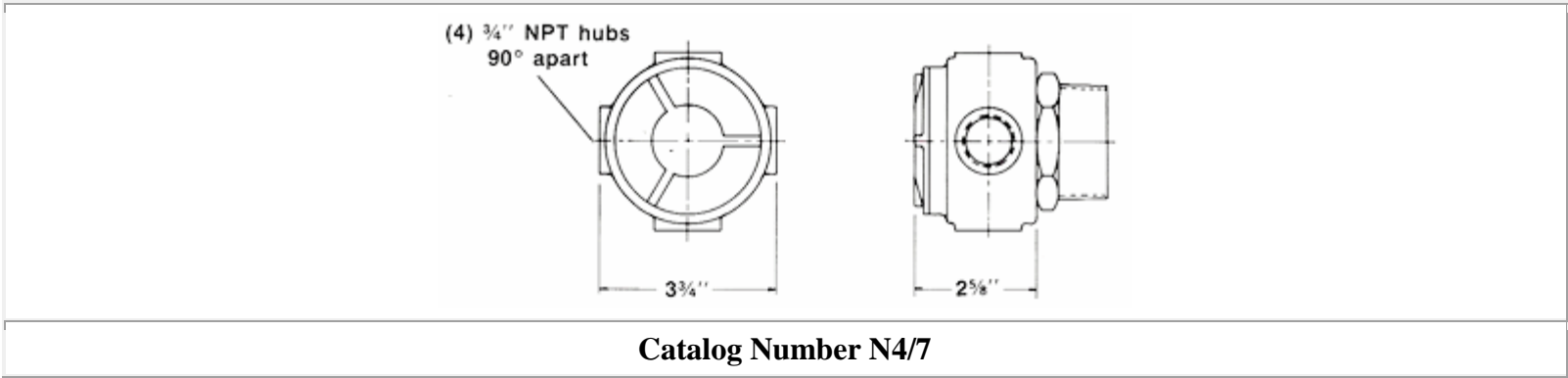
* This option available on 1", 1 1/4", 2" and 2 1/2" NPT Screw Plug Heaters.

Options Screw Plug Immersion 2" & 2 1/2"



Range	Rating	No. Poles	Cat. No.
0-100°F	25 Amp @ 277 V	2	N1T4
60-250°F	25 Amp @ 277 V	2	N1T5
150-550°F	25 Amp @ 277 V	2	N1T6

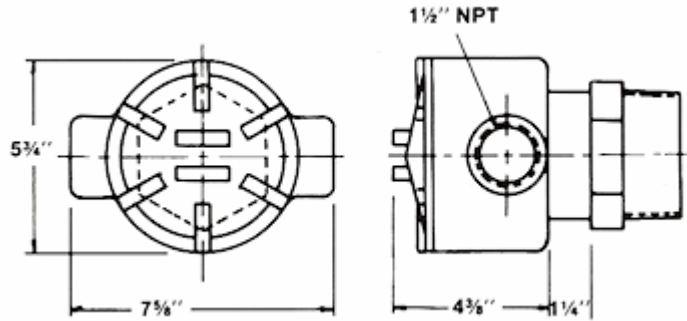
Moisture / Explosion Resistant Housing



Range	Rating	No. Poles	Cat. No.
0-100°F	25 Amp @ 277 V	2	N4T4
60-250°F	25 Amp @ 277 V	2	N4T5

150-550°F	25 Amp @ 277 V	2	N4T6
-----------	----------------	---	------

Explosion Resistant Housing with Thermostat



Range	Rating	No. Poles	Cat. No.
0-100°F	25 Amp @ 277 V	2	N7T4
60-250°F	25 Amp @ 277 V	2	N7T5
150-550°F	25 Amp @ 277 V	2	N7T6