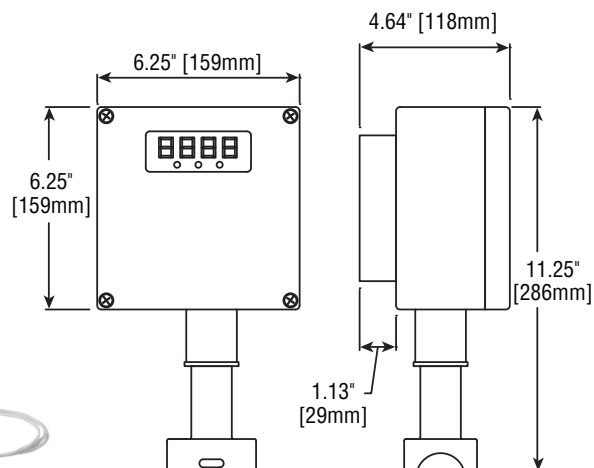


DTS Heat Trace Digital Thermostat



- 30 Amp Solid State Relay (SSR) Output
- On/Off Control –
 - 10 degree selectable deadband
- Soft Start eliminating SR Cable In-Rush
- LED Indication for
 - Setpoint
 - Process Temp
 - High Temp Alarm
 - Low Temp Alarm
 - RTD Failure
- Programmable High and Low Temp Alarms
- Programmable Deadband in One Degree Increments
- Common Alarm Contact for Remote Indication of Alarm Status
- NEMA 4X Enclosure
- Integral Pipe Stand
- Integral 100 Ohm Platinum RTD
- Enclosure Serves as Cable Power Connection
- Works with SR, CWM and MI Cable
- 100 to 240 VAC Operation
- RoHS Compliant
- UL, CSA, FM, Haz. Area Approvals Pending



Description

The DTS-HAZ digital thermostat kit is a microprocessor based temperature control and power connection kit used for freeze protection or process temperature maintenance of pipes or tanks protected by heat tracing products. This thermostat can be used with Constant Wattage, Mineral Insulated or Self regulating heating cables in ordinary area or Div 2 hazardous area locations.

This unit is designed to provide local pipe or tank mounted temperature control and monitoring for heat traced pipes or tanks across a variety of industries and applications.

The DTS-HAZ provides easy programming of the temperature set point, high and low temperature alarms and on/off control deadband through the front panel push buttons. LED indicating lights are provided for power to the unit, heater power on and alarm status. A normally open alarm contact (closure on alarm condition and loss of power) is included for wiring to your building management system to indicate alarm status. This contact is opened upon high or low temperature alarm, RTD failure or loss of power to the system. The loss of power indication qualifies this unit to be used to sense temperature and control heat trace used in fire protection systems. This unit is programmable from -40°F (-40°C) to 485°F (252°C) set point and temperature alarm points and will switch 30 amps of power.

The DTS-HAZ employs a Soft Start feature that uses a proprietary software algorithm which eliminates the inherent self-regulating in-rush current, resulting in longer circuit lengths and less nuisance tripping at cold temperatures. Minimum operating ambient temperature is -30°F (-34.4°C). The 100 Ohm platinum RTD is provided with a 3 foot lead resulting in flexible mounting options for the user.

Features

- 6 inch by 6 inch box which houses the temperature control and monitoring unit along with terminals for connecting instrument power, heating cable and RTD.
- 100 Ohm platinum RTD which can be pipe mounted or can be used to sense ambient air temperature for control.
- Pipe stand off for direct pipe mounting and termination of the heating cable directly in the box. This feature reduces installation time and labor cost both to terminate the cable, and material, by eliminating the need for a heat trace power connection kit.
- Soft Start

HEAT TRACING
PRODUCTS

DTS Heat Trace Digital Thermostat (cont'd.)

PCN	Model
387372	DTS-HAZ-B

Applications

- Freeze Protection
- Process Temperature Maintenance
- Tank Freeze Protection
- Tank Process Maintenance

Environments

- Hazardous Areas, Class I, Div 2, Groups A,B,C,D Pending

Sensors

- 100 OHM PT RTD
- Probe Length = 4"
- Probe Diameter = 1/4"
- Leadwire Length = 3ft

Markets

- Agriculture
- Alternative Fuels
- Chemical Processing
- Food Processing
- Oil / Gas
- Pharmaceutical
- Power Generation
- Water Treatment
- Building and Construction
- Transportation
- Refrigeration

Specifications

Operating Voltage	100 to 240 VAC, Single Phase
Operating Temperature	-30°F to 140°F (-34.4C to 60°C)
Input	Included 100 Ohm platinum RTD
Output	30 amp solid state relay – DTS-HAZ
Common Alarm Output	5A From A Solid State Relay normally energized, opens on alarm
Alarms	High temp to 485°F (252°C) Low temp to -40°F (-40°C) RTD Failure Normally open 12-280 VAC 5 Amp alarm contact Red LED Indicator alarm status indicator on front panel
Deadband	1°F to 10°F programmable
Set Points	-40°F to 485°F programmable (-40°C to 252°C)
Units of Measure	°F or °C programmable
Control Mode	On/Off control
Soft Start	Integral soft start, patent pending software algorithm eliminates self regulating cable in-rush

Approvals Pending

- UL Listed
- Factory Mutual (FM) Approved
- CSA Certified
- Ordinary Areas – DTS, DTS-HAZ
- Hazardous Area – DTS-HAZ only
- Class I, Div. 2 – Groups A,B,C,D
- Class II – Groups E,F,G
- Class III