



Ph: 704-399-4248

Fax: 704-3994167

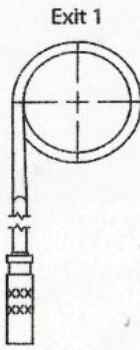

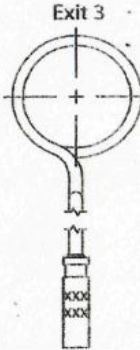
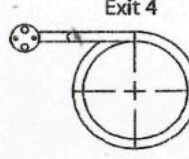
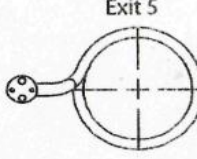




Customer Name: _____

Completed by: _____ Date: _____

Contact Number: _____ Quantity: _____

Job Number: _____ Part Number: _____

Stock Coil Heater Data Sheet

<p>Dimensional Information</p> <p>Coil from stock standard profile 2.5mm X 3.5mm</p> <p>Standard leads 48" Teflon Insulated (Rated to 500F)</p> <p>Inside Diameter _____ (Larger than 1.25" suggest OD sheath)</p> <p>Length of Coiled Heater _____</p> <p>Internal Type J T/C (Check One): Yes: No:</p> <p>OD Sheath (Check One): Yes: No:</p> <p>Rated Voltage: _____</p> <p>Rated Wattage: _____</p> <p>Winding Pattern</p> <p>Number of Winds: Lead End: _____ Center: _____ Tip: _____</p> <p>OEM Part Number: _____</p> <p>Customer Part Number: _____</p>	<p>Exit Variations (Circle One)</p> <div style="text-align: center;">    </div> <div style="text-align: center; margin-top: 20px;">   </div>
<p>Lead Protection Options (Circle One)</p> <p><u>Option: BMS Braided Metal Sleeve Ø5.5 OD</u></p>  <p><u>Option: ARM Armor Cable Ø8.5 OD</u></p>  <p><u>Option: FIB Fiberglass Sleeve 5AWG:</u></p>  <p style="text-align: center;">Color: Black</p>	<p>Number of Windings</p>  <p>Top Width _____ Center _____ Lead _____</p>
<p>Additional Notes:</p> 	