

	PAGE
Part Numbering Examples	S2
Sanitary Connected RTD's (CIP)	
Straight Stem Sanitary Connected RTD'S (RV, R5, or R8)	S3
Reduced Stem Sanitary Connected RTD'S (RV, R5, or R8)	S4
Sanitary Connected Thermowell RTD'S (RV, R5, or R8)	S5
Miniature Sanitary Connected RTD'S (RV, RX, RY, or R5)	S6
Leadwire Style Sanitary Connected RTD'S (RD)	S7
Sanitary End Cap Dimensions	S8
Thermometer Replacement RTD'S (RV, R5, or R8)	S9
Penetration Style Sensors	
Penetration Style RTD Sensors (RIP)	S10
Penetration Style Thermocouple Sensors (TIP)	S11

General Information

Food, Dairy, Beverage & Pharmaceutical Section

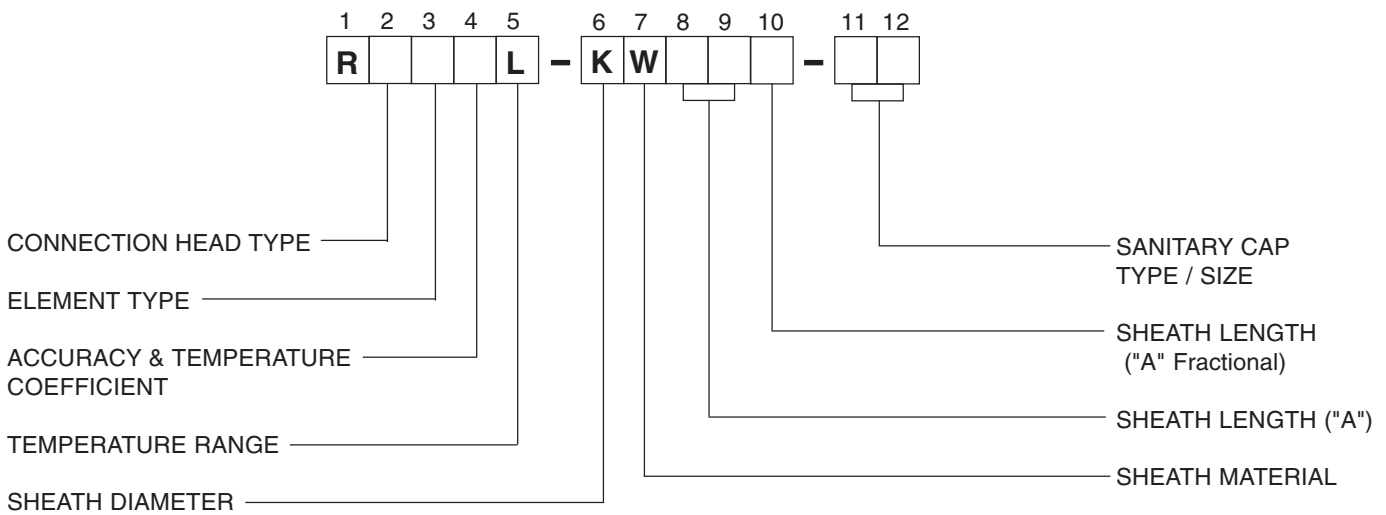
SensorTec's line of temperature probes for the Food, Dairy, Beverage & Pharmaceutical industries, is made of the highest quality materials and workmanship. SensorTec's extensive research and development on the construction of these probes has lead to some of the most durable and accurate probes available in the industry.

All sanitary procedures and materials comply with the 3-A Symbol Council Authorization # 74-00. The polypropylene connection heads, used in many applications, comply with FDA guidelines.

Applications:

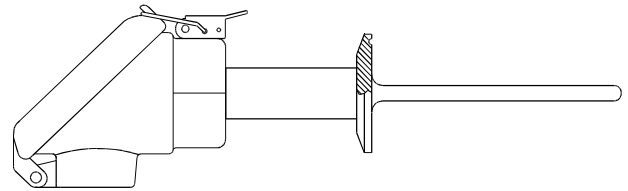
- Milk, cheese and various dairy products processing
- Beverage processing
- Meat smokehouses
- Confectionery processing
- Blood processing equipment

PART NUMBERING EXAMPLES FOR FOOD, DAIRY, BEVERAGE & PHARMACEUTICAL SENSORS



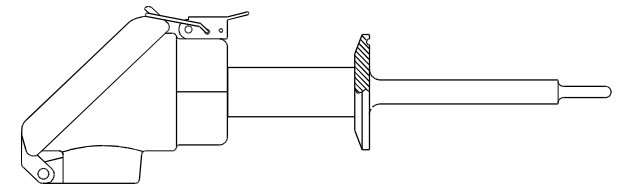
RVBGL-KW04A-A3

RTD-100Ω, 3 Wire, Class B, .00385, Low Temp, Sanitary Connected 1/4" Dia. Sheath 4" Long with a 2" 16 AMP Clamp Cap - Refer to Page S-1

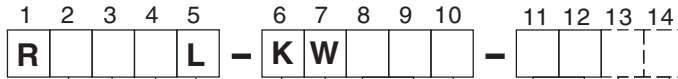
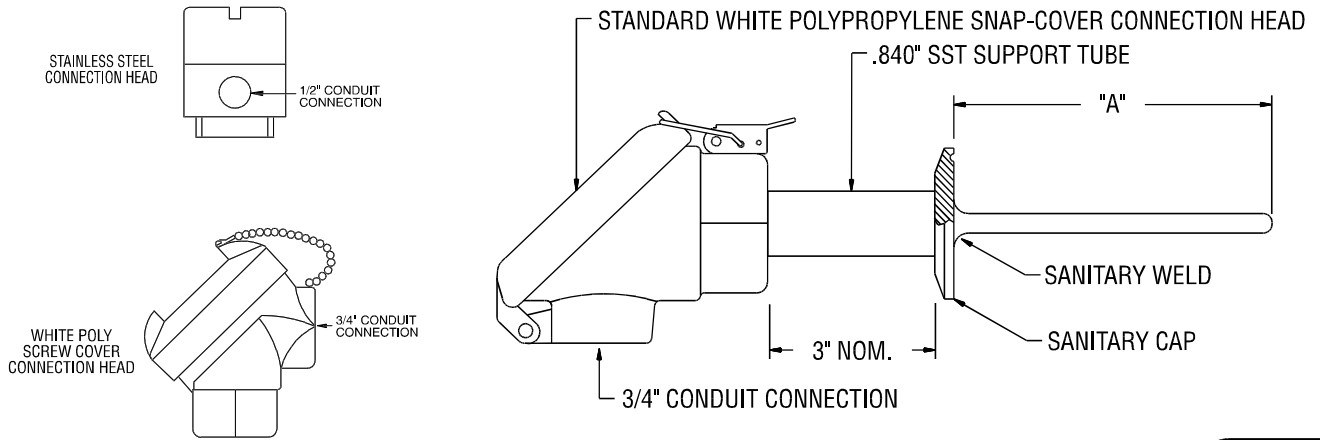


RVBJL-NIW04A-A4

RTD-100Ω, 3 Wire, Class A, .00385, Low Temp, Sanitary Connected Reduced Tip 3/16" Dia. Sheath 1" Long, 3/8" Dia. Sheath 3" Long with a 2-1/2" 16 AMP Clamp Cap - Refer to Page S-2



STRAIGHT STEM SANITARY CONNECTED RTD's



CONNECTION HEAD TYPE¹

Code	Description
V	Snap-cover white polypropylene
5	Screw-cover white polypropylene
8	Screw-cover stainless steel

ELEMENT TYPE

Resistance @ 0°C	3 Wire
Platinum 100 Ω Single	B
Platinum 100 Ω Dual	E

ACCURACY & TEMPERATURE COEFFICIENT

Resistance @ 0°C	DIN .00385	JIS .00392
CLASS B (.12%)	G	H
CLASS A (.06%)	J	K
1/3RD (.04%)	M	N

TEMPERATURE RANGE

L = -50 TO +200°C (-58 TO +392°F)

SHEATH DIAMETER

K = .250 (1/4")

SHEATH MATERIAL

W = 316 SST

SHEATH LENGTH ("A")

Whole inches (EX. 04 = 4")

SHEATH LENGTH (Fractional)

A = None	L = 1/2"
C = 1/8"	N = 5/8"
G = 1/4"	Q = 3/4"
J = 3/8"	S = 7/8"

FEATURES:

- Clean-In-Place Design for Food, Dairy, and Beverage Applications
- 3-A Symbol Council Authorization #74-00
- Fast Response Design
- Superior Stem Strength
- FDA Compliant White Polypropylene Connection Head Standard
- Single or Dual (Redundant Styles)
- Minimum #4 RMS High Polish on complete assembly
- Washdown Resistant Construction
- No Threads Exposed to Collect Bacteria (On Snap-Cover Head)
- Highly Vibration and Shock Resistant Stem and Element

OPTION

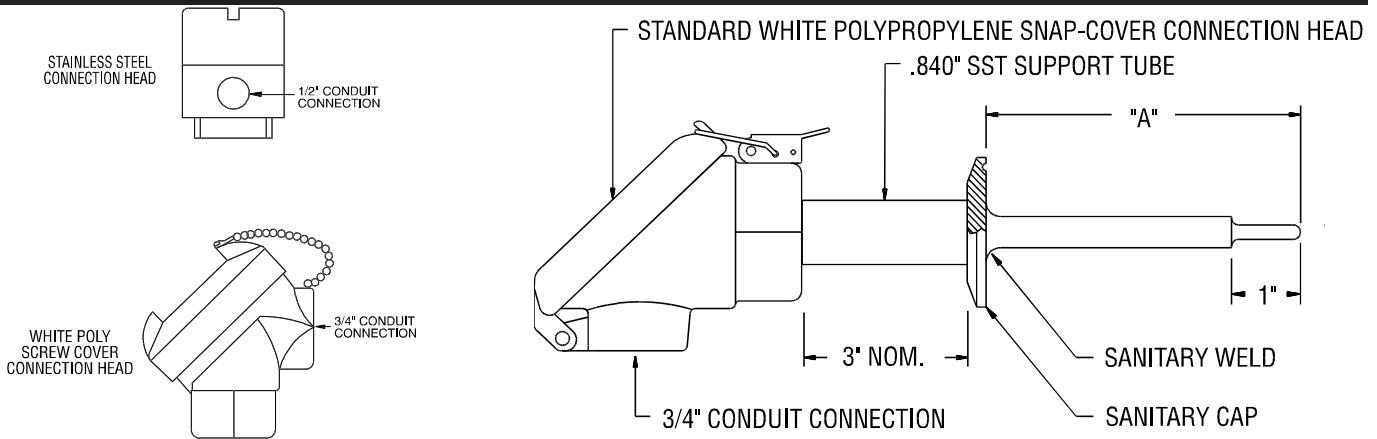
SR = 1/2" NPT SST Conduit Reducer

SANITARY CAP TYPE & SIZE

Cap type	Size>	1-1/2"	2"	2-1/2"	3"
16 AMP clamp cap	A2	A3	A4	A5	A5
16A bevel seat	B2	B3	B4	B5	B5
16APV APC	C2	C3	C4	C5	C5
16AI-14I I-line	D2	D3	D4	D5	D5
K16A	E2	E3	E4	E5	E5
16AQ-14Q	F2	F3	F4	F5	F5
16A w/#13-H nut	G2	G3	G4	G5	G5
16APC w/#13-H nut	H2	H3	H4	H5	H5
16AH H-line	J2	J3	J4	J5	J5

¹Consult sales for availability of epoxy coated aluminum connection heads.

REDUCED STEM SANITARY CONNECTED RTD'S



Authorization
Standard #74-00

CONNECTION HEAD TYPE¹

Code	Description
V	Snap-cover white polypropylene
5	Screw-cover white polypropylene
8	Screw-cover stainless steel

ELEMENT TYPE

Resistance @ 0°C	3 Wire
Platinum 100 Ω Single	B
Platinum 100 Ω Dual	E

ACCURACY & TEMPERATURE COEFFICIENT

Resistance @ 0°C	DIN .00385	JIS .00392
CLASS B (.12%)	G	H
CLASS A (.06%)	J	K
1/3RD (.04%)	M	N

TEMPERATURE RANGE

L = -50 TO +200°C (-58 TO +392°F)

SHEATH DIAMETER

N = .375 (3/8")

REDUCED SHEATH DIAMETER

I = .188 (3/16")

SHEATH MATERIAL

W = 316 SST

SHEATH LENGTH ("A")

Whole inches (EX. 04 = 4")

SHEATH LENGTH (Fractional)

A = None	L = 1/2"
C = 1/8"	N = 5/8"
G = 1/4"	Q = 3/4"
J = 3/8"	S = 7/8"

1 2 3 4 5 - 6 7 8 9 10 - 11 12 13 14
R L - N I W

FEATURES:

- Clean-In-Place Design for Food, Dairy, and Beverage Applications
- 3-A Symbol Council Authorization #74-00
- Fast Response Design
- Superior Stem Strength
- FDA Compliant White Polypropylene Connection Head Standard
- Single or Dual (Redundant Styles)
- Minimum #4 RMS High Polish on complete assembly
- Washdown Resistant Construction
- No Threads Exposed to Collect Bacteria (On Snap-Cover Head)
- Highly Vibration and Shock Resistant Stem and Element

OPTION

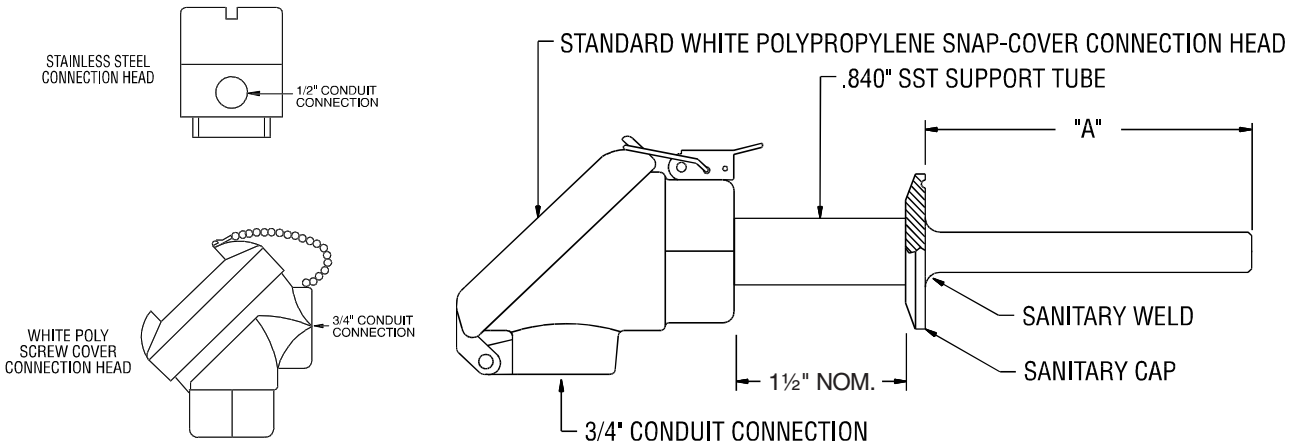
SR = 1/2" NPT SST Conduit Reducer

SANITARY CAP TYPE & SIZE

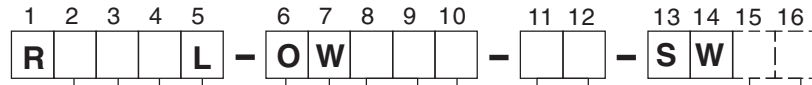
Cap type	Size>	1-1/2"	2"	2-1/2"	3"
16 AMP clamp cap		A2	A3	A4	A5
16A bevel seat		B2	B3	B4	B5
16APV APC		C2	C3	C4	C5
16AI-14I I-line		D2	D3	D4	D5
K16A		E2	E3	E4	E5
16AQ-14Q		F2	F3	F4	F5
16A w/#13-H nut		G2	G3	G4	G5
16APC w/#13-H nut		H2	H3	H4	H5
16AH H-line		J2	J3	J4	J5

¹Consult sales for availability of epoxy coated aluminum connection heads.

SANITARY CONNECTED THERMOWELL RTD'S



Authorization
Standard #74-00



CONNECTION HEAD TYPE¹

Code	Description
V	Snap-cover white polypropylene
5	Screw-cover white polypropylene
8	Screw-cover stainless steel

ELEMENT TYPE

Resistance @ 0°C	3 Wire
Platinum 100 Ω Single	B
Platinum 100 Ω Dual	E

ACCURACY & TEMPERATURE COEFFICIENT

Resistance @ 0°C	DIN .00385	JIS .00392
CLASS B (.12%)	G	H
CLASS A (.06%)	J	K
1/3RD (.04%)	M	N

TEMPERATURE RANGE

L = -50 TO +200°C (-58 TO +392°F)

SHEATH DIAMETER

O = .500 (1/2")

SHEATH MATERIAL

W = 316 SST

SHEATH LENGTH ("A")

Whole inches (EX. 04 = 4")

SHEATH LENGTH (Fractional)

A = None	L = 1/2"
C = 1/8"	N = 5/8"
G = 1/4"	Q = 3/4"
J = 3/8"	S = 7/8"

FEATURES:

- Clean-In-Place Design for Food, Dairy, and Beverage Applications
- 3-A Symbol Council Authorization #74-00
- Fast Response Design
- Superior Stem Strength
- FDA Compliant White Polypropylene Connection Head Standard
- Single or Dual (Redundant Styles)
- Minimum #4 RMS High Polish on complete assembly
- Washdown Resistant Construction
- No Threads Exposed to Collect Bacteria (On Snap-Cover Head)
- Highly Vibration and Shock Resistant Stem and Element

OPTION

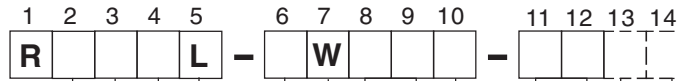
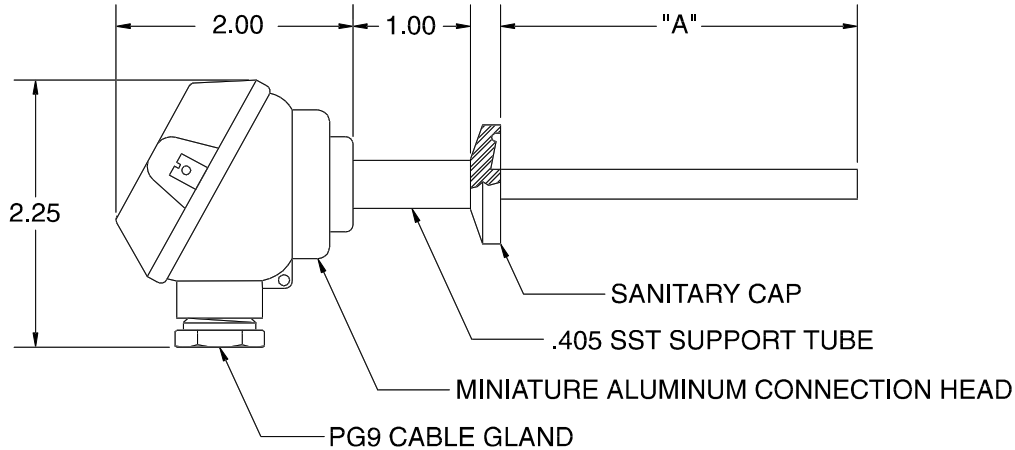
SR = 1/2" NPT SST Conduit Reducer

SANITARY CAP TYPE & SIZE

Cap type	Size>	1-1/2"	2"	2-1/2"	3"
16 AMP clamp cap		A2	A3	A4	A5
16A bevel seat		B2	B3	B4	B5
16APV APC		C2	C3	C4	C5
16AI-14I I-line		D2	D3	D4	D5
K16A		E2	E3	E4	E5
16AQ-14Q		F2	F3	F4	F5
16A w/#13-H nut		G2	G3	G4	G5
16APC w/#13-H nut		H2	H3	H4	H5
16AH H-line		J2	J3	J4	J5

¹Consult sales for availability of epoxy coated aluminum connection heads.

MINIATURE SANITARY CONNECTED RTD's



CONNECTION HEAD TYPE

Code	Description
V	Snap-cover white polypropylene
X	Miniature Plastic
Y	Miniature Aluminum
5	Screw-cover white polypropylene

ELEMENT TYPE

Resistance @ 0°C	3 Wire	4 Wire
Platinum 100 Ω Single	B	C
Platinum 100 Ω Dual	E	--

ACCURACY & TEMPERATURE COEFFICIENT

Resistance @ 0°C	DIN .00385	JIS .00392
CLASS B (.12%)	G	H
CLASS A (.06%)	J	K
1/3RD (.04%)	M	N

TEMPERATURE RANGE

L = -50 TO +200°C (-58 TO +392°F)

SHEATH DIAMETER

H = .156 (5/32")
K = .250 (1/4")

SHEATH MATERIAL

W = 316 SST

SHEATH LENGTH ("A")

Whole inches (EX. 04 = 4")

FEATURES:

- Clean-In-Place Design for Pharmaceutical, chemical, laboratory, biotech & food process applications
- 3-A Symbol Council Authorization #74-00
- Fast Response Design
- Superior Stem Strength
- Single or Dual (Redundant Styles)
- Minimum #4 RMS High Polish on complete assembly
- Highly Vibration and Shock Resistant Stem and Element

OPTION

SR = 1/2" NPT SST Conduit Reducer Head Type "V" & "5" only

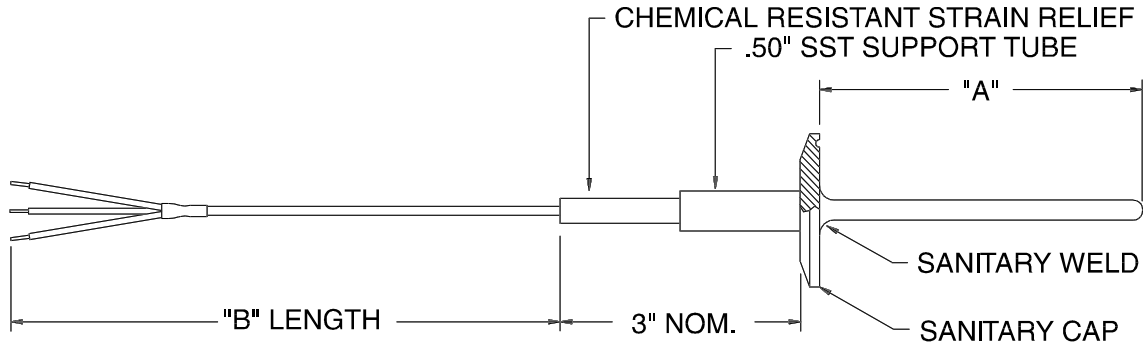
SANITARY CAP TYPE & SIZE

Type & Size	Code
16 AMP clamp cap, 1/2"	A1
16 AMP clamp cap, 3/4"	A1

SHEATH LENGTH (Fractional)

A = None	L = 1/2"
C = 1/8"	N = 5/8"
G = 1/4"	Q = 3/4"
J = 3/8"	S = 7/8"

LEADWIRE STYLE SANITARY CONNECTED RTD's



TRANSITION TYPE

D = Special epoxy sealed, stainless steel

ELEMENT TYPE

Resistance @ 0°C	3 Wire	4 Wire
Platinum 100 Ω Single	B	C
Platinum 100 Ω Dual	E	--

ACCURACY & TEMPERATURE COEFFICIENT

Resistance @ 0°C	DIN .00385	JIS .00392
CLASS B (.12%)	G	H
CLASS A (.06%)	J	K
1/3RD (.04%)	M	N

TEMPERATURE RANGE

L = -50 TO +200°C (-58 TO +392°F)

SHEATH DIAMETER

K = .250 (1/4")

SHEATH MATERIAL

W = 316 SST

SHEATH LENGTH ("A")

Whole inches (EX. 04 = 4")

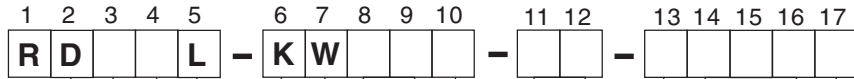
SHEATH LENGTH (Fractional)

A = None	L = 1/2"
C = 1/8"	N = 5/8"
G = 1/4"	Q = 3/4"
J = 3/8"	S = 7/8"

SANITARY CAP TYPE & SIZE

Cap type	Size >	1-1/2"	2"	2-1/2"	3"
16 AMP clamp cap		A2	A3	A4	A5
16A bevel seat		B2	B3	B4	B5
16APV APC		C2	C3	C4	C5
16AI-14I I-line		D2	D3	D4	D5

NOTE: For 1/2" & 3/4", 16 AMP clamp cap, specify code A1



LEADWIRE TERMINATIONS

- A = None
- B = 2-1/2" Split Leads
- C = 2-1/2" Split Leads w/#8 Spade Lugs
- D = 2-1/2" Split Leads w/#8 Spade Lugs & BX Connector
- K = Standard Male Plug (200°C)
- L = Standard Plug with Mating Jack
- M = Standard Female Jack
- Q = Miniature Male Plug
- R = Miniature Plug Mating Jack
- S = Miniature Female Jack

LEADWIRE LENGTH ("B")

Whole Inches: Example: 048 = 48 "

LEADWIRE TYPE

- M = Teflon jacketed cable
- 2 = Heavy duty Teflon Cable*
- 3 = Teflon cable with white Teflon coated flex armor

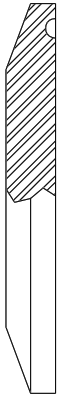
* Heavy duty Teflon cable consists of Teflon inners and jacket, a stainless steel protective braid and an outer heavy Teflon jacket

FEATURES:

- Clean-In-Place Design for Food, Dairy, Beverage and Pharmaceutical Applications
- Fast Response Design
- Superior Stem Strength
- Single or Dual (Redundant Styles)
- Minimum #4 RMS High Polish on complete assembly
- Washdown Resistant Construction
- Highly Vibration and Shock Resistant Stem and Element

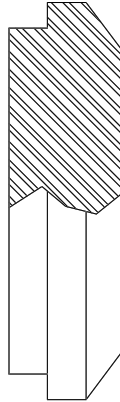
SANITARY END CAP DIMENSIONS

STYLE A
16 AMP CLAMP CAP



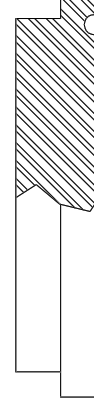
SIZE TUBE O.D.	O.D.	THICKNESS
1/2 or 3/4	1.00	.188
1	1.98	.25
1-1/2	1.98	.25
2	2.51	.25
2-1/2	3.03	.25
3	3.57	.25
4	4.68	.31

STYLE B
16A BEVEL SEAT



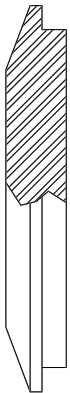
SIZE TUBE O.D.	O.D.	THICKNESS
1	1.31	.46
1-1/2	1.84	.56
2	2.37	.62
2-1/2	2.90	.66
3	3.43	.71
4	4.50	.81

STYLE C
16APV APC



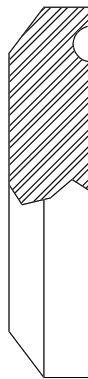
SIZE TUBE O.D.	O.D.	THICKNESS
1	1.38	.29
1-1/2	1.88	.42
2	2.38	.46
2-1/2	2.88	.47
3	3.38	.50
4	4.38	.53

STYLE D
16 Al-14I I-Line



SIZE TUBE O.D.	O.D.	THICKNESS
1	2	.50
1-1/2	2	.50
2	2.65	.56
2-1/2	3.12	.56
3	3.87	.75
4	4.87	.75

STYLE F
16AQ-14Q



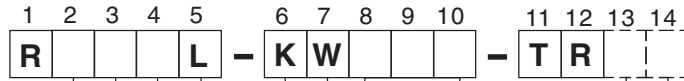
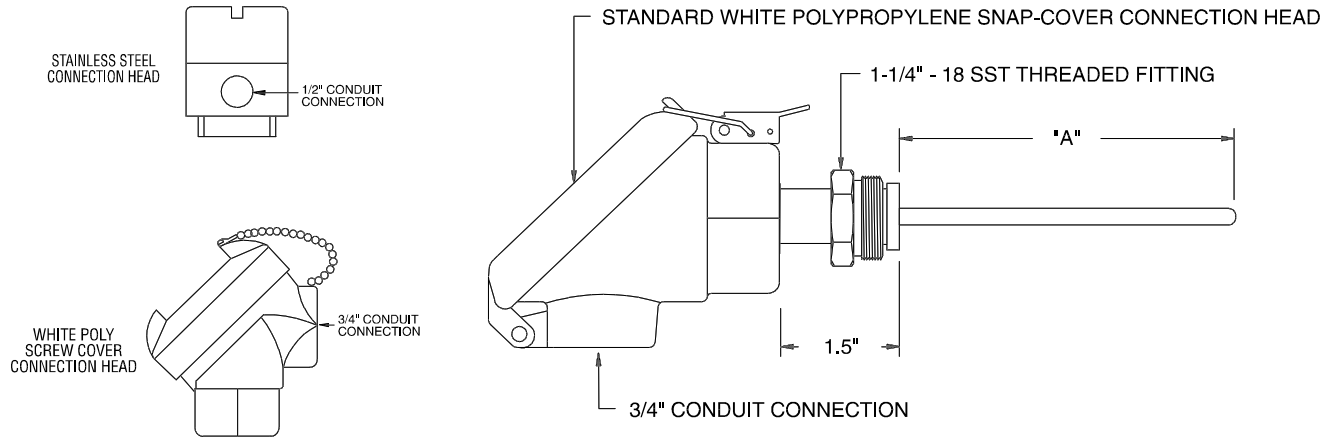
SIZE TUBE O.D.	O.D.	THICKNESS
1	1.98	.31
1-1/2	1.98	.31
2	2.64	.43
2-1/2	3.30	.50
3	3.87	.50
4	4.87	.62

STYLE J
16AH H-LINE



SIZE TUBE O.D.	O.D.	THICKNESS
1	Not Available	
1-1/2	2	.091
2	2.50	.091
2-1/2	3.03	.091
3	3.56	.091
4	4.68	.091

THERMOMETER REPLACEMENT RTD'S



CONNECTION HEAD TYPE

Code	Description
V	Snap-cover white polypropylene
5	Screw-cover white polypropylene
8	Screw-cover stainless steel

ELEMENT TYPE

Resistance @ 0°C	3 Wire
Platinum 100 Ω Single	B
Platinum 100 Ω Dual	E

ACCURACY & TEMPERATURE COEFFICIENT

Resistance @ 0°C	DIN .00385	JIS .00392
CLASS B (.12%)	G	H
CLASS A (.06%)	J	K
1/3RD (.04%)	M	N

TEMPERATURE RANGE

L = -50 TO +200°C (-58 TO +392°F)

SHEATH DIAMETER

K = .250 (1/4")

SHEATH MATERIAL

W = 316 SST

SHEATH LENGTH CODE

Code	Sheath Length	Fits well number:	
		Taylor	Anderson
09L	9-1/2", spring relaxed	26P397	1247
11G	11-1/4", spring relaxed	SK10274	1279
12L	12-1/2", spring relaxed	S6P398	1280

OPTION

SR = 1/2" NPT SST Conduit Reducer

FEATURES:

- Fast Response Design
- FDA Compliant White Polypropylene Connection Head Standard
- Single or Dual (Redundant Styles)
- Washdown Resistant Construction
- Highly Vibration and Shock Resistant Stem and Element
- Replaceable Spring Loaded Element

NOTE: Consult sales for other sheath length codes

PENETRATION STYLE RTD SENSORS

PROBE STYLE

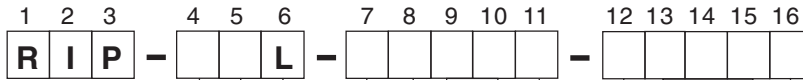
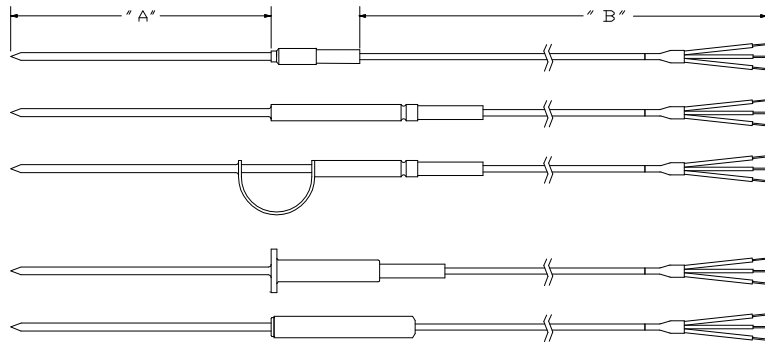
1. Transition Fitting

2. Straight Handle

3. Saber Handle

4. Flanged Handle

6 & 7. Euro Style Handle
(Teflon or Stainless Steel)



ELEMENT TYPE

Resistance @ 0°C	2 Wire	3 Wire
Platinum 100Ω Single	A	B
Platinum 1000Ω Single	K	L

ACCURACY & TEMPERATURE COEFFICIENT

Accuracy @ 0°C	Din.00385	Jis.00392
Class B (.12%)	G	H
Class A (.06%)	J	K
1/3 RD (.04%)	M	N

TEMPERATURE RANGE

-50 to +200° C L

PROBE STYLE

- 1 = Standard transition fitting - Stainless Steel
- 2 = Straight handle - Stainless Steel
- 3 = Saber handle - Stainless Steel
- 4 = Flanged handle - Stainless Steel
- 6 = Euro Style - White Teflon
- 7 = Euro Style - Stainless Steel

SHEATH DIAMETER (Inch)

- B = .134 OD 304 SST hypodermic Material
- C = .180 OD 304 SST hypodermic Material

SHEATH LENGTH ("A")

Whole Inches: Example 00 = None

NOTE: Maximum 12" sheath length

SHEATH LENGTH ("A" Fractional)

A = None	G = 1/4	N = 5/8
B = 1/16	J = 3/8	Q = 3/4
C = 1/8	L = 1/2	S = 7/8
E = 3/16		

LEADWIRE TERMINATIONS

- A = None
- B = 2-1/2" Split Leads
- C = 2-1/2" Split Leads w/#8 Spade Lugs
- D = 2-1/2" Split Leads w/#8 Spade Lugs & BX Connector
- K = Standard Male Plug (200°C)
- L = Standard Plug with Mating Jack
- M = Standard Female Jack
- Q = Miniature Male Plug
- R = Miniature Plug Mating Jack
- S = Miniature Female Jack

LEADWIRE LENGTH ("B")

Whole Inches: Example: 048 = 48 Inches

LEADWIRE TYPE

- M = Teflon jacketed cable
- 2 = Heavy duty Teflon Cable*
- 3 = Teflon cable with white Teflon coated flex armor

* Heavy duty Teflon cable consists of Teflon inners and jacket, a stainless steel protective braid and an outer heavy Teflon jacket

PRODUCT FEATURES

- Extra sharp pointed closure
- **All FDA compliant materials**
- Specifically designed for food & smokehouse use
- Special chemical resistant epoxy resists sodium hydroxide washdown
- Element designed to resist physical & thermal shock
- Complete sensor rated to +200°C

PENETRATION STYLE THERMOCOUPLE SENSORS

PROBE STYLE

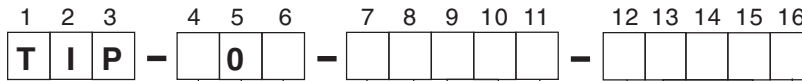
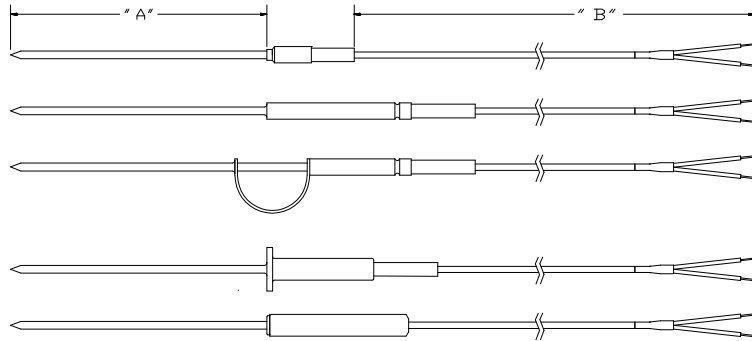
1. Transition Fitting

2. Straight Handle

3. Saber Handle

4. Flanged Handle

6 & 7. Euro Style Handle
(Teflon or Stainless Steel)



CALIBRATION

J = Type "J"
T = Type "T"

SINGLE ELEMENT

0 = Single

JUNCTION TYPE

G = Grounded
U = Ungrounded

PROBE STYLE

1 = Standard transition fitting - Stainless Steel
2 = Straight handle - Stainless Steel
3 = Saber handle - Stainless Steel
4 = Flanged handle - Stainless Steel
6 = Euro Style - White Teflon
7 = Euro Style - Stainless Steel

SHEATH DIAMETER (Inch)

B = .134 OD 304 SST hypodermic Material
C = .180 OD 304 SST hypodermic Material

SHEATH LENGTH ("A")

Whole Inches: Example 00 = None

NOTE: Maximum 12" sheath length

SHEATH LENGTH ("A" Fractional)

A = None G = 1/4 N = 5/8
B = 1/16 J = 3/8 Q = 3/4
C = 1/8 L = 1/2 S = 7/8
E = 3/16

LEADWIRE TERMINATIONS

A = None
B = 2-1/2" Split Leads
C = 2-1/2" Split Leads w/#8 Spade Lugs
D = 2-1/2" Split Leads w/#8 Spade Lugs & BX Connector
K = Standard Male Plug (200°C)
L = Standard Plug with Mating Jack
M = Standard Female Jack
Q = Miniature Male Plug
R = Miniature Plug Mating Jack
S = Miniature Female Jack

LEADWIRE LENGTH ("B")

Whole Inches: Example: 048 = 48 Inches

LEADWIRE TYPE

M = Teflon jacketed cable
2 = Heavy duty Teflon Cable*
3 = Teflon cable with white Teflon coated flex armor

* Heavy duty Teflon cable consists of Teflon inners and jacket, a stainless steel protective braid and an outer heavy Teflon jacket

PRODUCT FEATURES

- Extra sharp pointed closure
- **All FDA compliant materials**
- Specifically designed for food & smokehouse use
- Special chemical resistant epoxy resists sodium hydroxide washdown
- Element designed to resist physical & thermal shock
- Complete sensor rated to +200°C

