

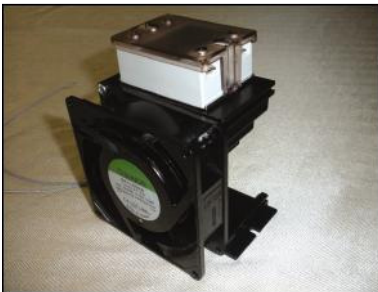
- Conservative Thermal Design • 5-100 Amp Ratings • 5-600 VAC Operational Voltage • Single and Three Phase Devices • Zero Cross, Phase Control, and Isolated by Photocouple • Control Inputs: 3-32 VDC, 80-250 VAC, 4-20 mA • DIN Rail and Panel Mount Designs • UL Recognized and CSA Approved • CE Marked • LED Status Indicator • Touch Safe Protection Cover

### SSR Selection Guide

SCR Power Controller	SSR 1	SSR 2	SSR 3
<b>Phase</b>	<b>Single</b>	<b>2 Leg Switching</b>	<b>3 Phase</b>
DIN Rail/Panel Mounting	Both	Both	Both
Cooling Fan	Optional	Optional	Optional
Control Method	Zero Cross Trigger / Isolated by Photocouple / Phase Control		
Amps	5-100	5-100	25-100
Inputs	3-32 VDC 15-60 VAC 80-250 VAC 4-20 mA	3-32 VDC 15-60 VAC 80-250 VAC 4-20 mA	4-32 VDC 80-250 VAC 4-20 mA
Operating Voltage	5-60 VDC 24-380 VAC 90-480 VAC 24-600 VAC	5-60 VDC 24-380 VAC 90-480 VAC 24-600 VAC	24-380 VAC 90-480 VAC 24-600 VAC
Touch Safe	Optional	Optional	Standard
Status Indicator	Red LED Indicator		
Ambient Temperature	-20° C to 80° C		
Agency Approvals	cUL, UL, CE		
Dielectric Strength	Over 2.5KVAC/1 minute		
Isolation Strength	Over 50M $\Omega$ / 500 VDC		



SSR



SSR 1 with Heat Sink + Fan

These units are rated for 5-100 amps with operational voltages up to 600 VAC single phase. This series is zero fired, isolated by photocouple, or phase fired. The input signal can be 3-32 VDC, 15-60 VAC, 80-250 VAC, or 4-20 mA.



SSR 2 with Heat Sink + Fan

These units are rated for 5-100 amps with operational voltages up to 600 VAC three-phase two leg switching. This series is zero fired, isolated by photocouple, or phase fired. The input signal can be 3-32 VDC, 15-60 VAC, 80-250 VAC, or 4-20 mA.



SSR 3 with Heat Sink + Fan

These units are rated for 25-100 amps with operational voltages up to 600 VAC three-phase three leg switching. This series is zero or phase fired. The input signal can be 4-32 VDC, 80-250 VAC or 4-20 mA.



DIN Rail Mounting

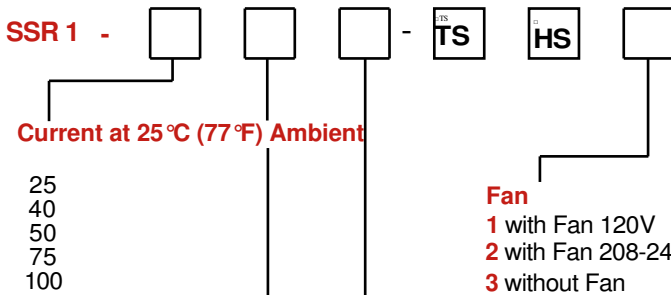
# Southeast Thermal Systems LLC

- Mercury Relay Replacement
- Electric Ovens
- Plastics Machinery
- Packaging Equipment
- Food and Beverage
- Processing Equipment
- Heating Platens
- Extruders
- Resistance Heating
- Contactor Replacement

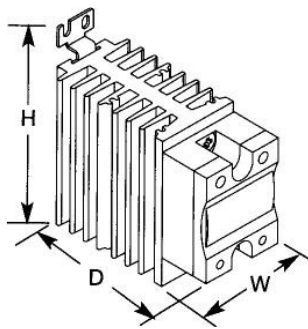


SSR

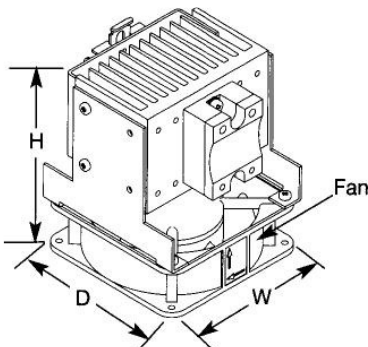
## Ordering Information for SSR Solid State Relay Power Controller with Heat Sinks



<b>Input Control Voltage</b>	<b>Operating Voltage</b>
1 3-32 VDC	1 5-60 VDC
2 15-60 VAC	2 24-380-VAC
4 80-250 VAC	3 90-480 VAC
5 4-20 mA	4 24-600 VAC



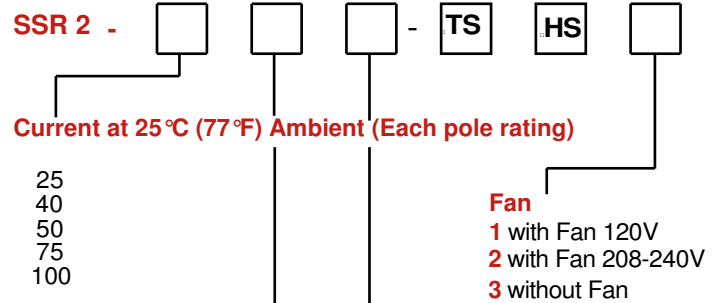
SSR w/o Fan



SSR 1&2/Fan

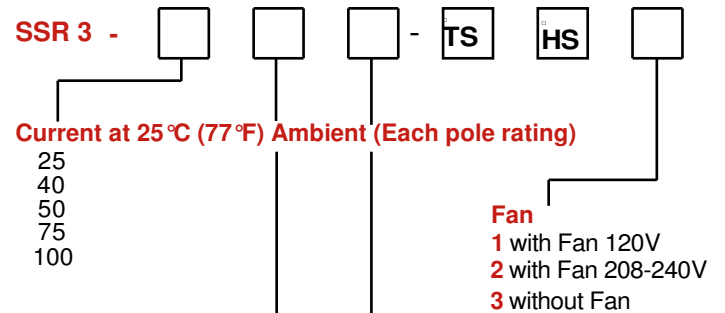
## SSR Series Power Relays

### Ordering Information for SSR 2- Leg Switching Solid State Relay Power Controller with Heat Sinks



<b>Input Control Voltage</b>	<b>Operating Voltage</b>
1 3-32 VDC	1 5-60 VDC
2 15-60 VAC	2 24-380-VAC
4 80-250 VAC	3 90-480 VAC
5 4-20 mA	4 24-600 VAC

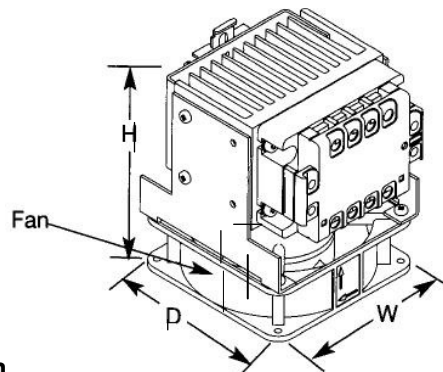
### Ordering Information for SSR 3-Phase Solid State Relay Power Controller with Heat Sinks



<b>Input Control Voltage</b>	<b>Operating Voltage</b>
1 4-32 VDC	1 5-60 VDC
2 80-250 VAC	2 24-380-VAC
3 4-20 mA	3 90-480 VAC
	4 24-600 VAC

	H/in. (mm)	W/in. (mm)	D/in. (mm)
SSR 1 w/o Fan	4"(102mm)	4.75"(121mm)	2"(50mm)
SSR 2 w/ Fan	5"(127mm)	5.5"(140mm)	4"(102mm)
SSR 3 w/o Fan	5"(127mm)	5.5"(140mm)	4"(102mm)

For DIN Rail Mounting add "D" to Part Number



SSR w/Fan