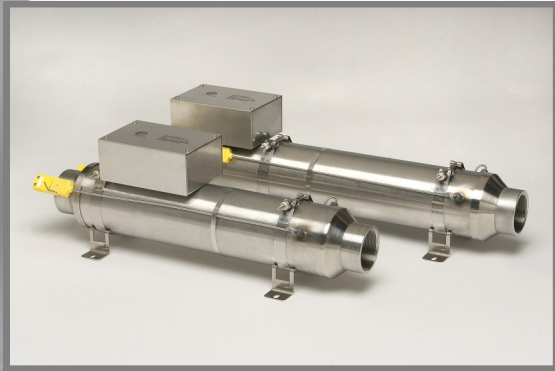


FLOW TORCH™



Shown with optional inlet & exhaust fittings

FT400

- The Flow Torch™ 400 is a 4" diameter stainless steel air heater designed for high flow rates at low pressure drop due to its efficient design with minimal flow restrictions.
- The Flow Torch™ 400 is capable of operating with airflow of 500 SCFM and up to 3 psig.
- UL component recognized (UL File # E365755)

Wattage & Voltage Options

Short Version:

208V, single phase, 2.0kW-19.0kW
 208V, three phase, 2.0kW-19.0kW
 240V, single phase, 2.0kW-19.0kW
 240V, three phase, 2.0kW-19.0kW
 380V, three phase 2.0kW-19.0kW
 480V, three phase, 3.0kW-19.0kW
 575V, three phase, 3.0kW-19.0kW

Long Version:

208V, single phase, 20.0kW-24.0kW
 208V, three phase, 20.0kW-24.0kW
 240V, single phase, 20.0kW-30.0kW
 240V, three phase, 20.0kW-30.0kW
 380V, three phase 20.0kW-33.0kW
 480V, three phase, 20.0kW-35.0kW
 575V, three phase, 20.0kW-35.0kW

Fitting Options

Inlet Fitting:

2F- 2" FNPT
 3T- 3" O.D. Tube
 NF- No Fitting (4" O.D.)

Exhaust Fitting:

2F- 2" FNPT
 3T- 3" O.D. Tube
 NF- No Fitting (4" O.D.)

Other Options

Thermocouple Fitting
 Thermocouple
 Insulation Blanket

Specifications

Category:

Max. wattage:
 Max. exhaust air temp.:
 Max. inlet air temp.:
 (consult factory for higher inlet temp.)
 Max. SCFM:

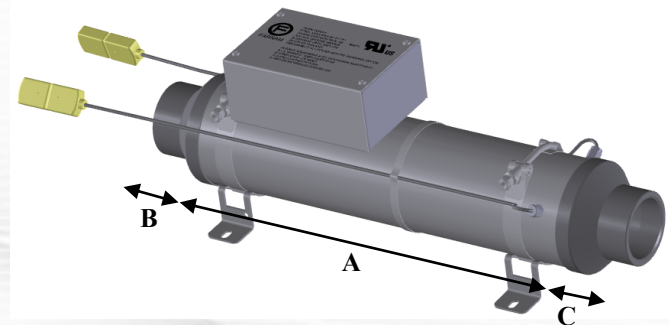
Max allowable pressure:
 Mounting:
 Heater Body:
 Inlet Fitting:
 Exhaust Fitting:

Open Coil Heaters, Inline Heaters, Process Heaters

35kW
 900°F
 250°F
 500
 3 psig
 Horizontal/Vertical
 Stainless Steel 304
 Stainless Steel 304
 Stainless Steel 304

Wattage	Min. SCFM Req.
5.0kW	19.1
10.0kW	38.2
15.0kW	57.2
20.0kW	76.3
25.0kW	95.4
30.0kW	114.5
35.0kW	133.6

Airflow (SCFM)	Pressure Drop (H2O) w/o fittings	Pressure Drop (H2O) 2" female NPT
50	0.1	0.8
100	0.4	2.0
150	1.0	3.6
200	1.7	5.6
250	2.4	7.9
300	3.4	10.7
350	4.6	13.9
400	6.0	17.5
450	7.6	21.5
500	9.3	25.9



Visit www.farnam-custom.com for detailed drawings

	A	Inlet Fitting	B	Exhaust Fitting	C
FT400 Short	16.5"	NF	0	NF	0
FT400 Short	16.5"	2F	2.02"	2F	2.02"
FT400 Short	16.5"	3T	3.0"	3T	3.0"
FT400 Long	22.0"	NF	0	NF	0
FT400 Long	22.0"	2F	2.02"	2F	2.02"
FT400 Long	22.0"	3T	3.0"	3T	3.0"

Part Number Key

FT400	5000	240	1	2F	2F	TF1	(XXX)
Flow Torch 400	Wattage	Voltage	Phase	Inlet Fitting	Exhaust Fitting	Thermocouple Fitting	Modification



www.farnam-custom.com

Ph: (828) 684-3766 • Fax: (828) 684-3768