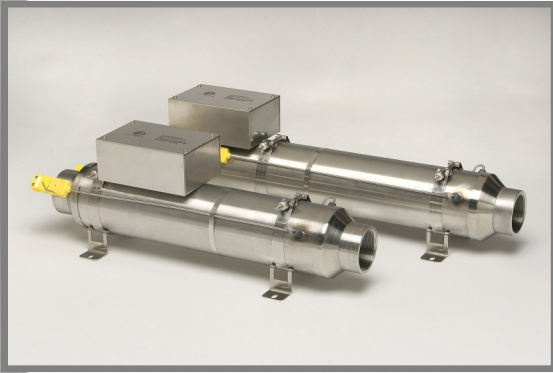


# FLOW TORCH™



Shown with optional inlet & exhaust fittings

# FT400

- The Flow Torch™ 400 is a 4" diameter stainless steel air heater designed for high flow rates at low pressure drop due to its efficient design with minimal flow restrictions.
- The Flow Torch™ 400 is capable of operating with airflow of 500 SCFM and up to 3 psig.
- UL component recognized (UL File # E365755)

### Wattage & Voltage Options

#### Short Version:

208V, single phase, 2.0kW-19.0kW  
 208V, three phase, 2.0kW-19.0kW  
 240V, single phase, 2.0kW-19.0kW  
 240V, three phase, 2.0kW-19.0kW  
 380V, three phase 2.0kW-19.0kW  
 480V, three phase, 3.0kW-19.0kW  
 575V, three phase, 3.0kW-19.0kW

#### Long Version:

208V, single phase, 20.0kW-24.0kW  
 208V, three phase, 20.0kW-24.0kW  
 240V, single phase, 20.0kW-30.0kW  
 240V, three phase, 20.0kW-30.0kW  
 380V, three phase 20.0kW-33.0kW  
 480V, three phase, 20.0kW-35.0kW  
 575V, three phase, 20.0kW-35.0kW

### Fitting Options

#### Inlet Fitting:

2F- 2" FNPT  
 3T- 3" O.D. Tube  
 NF- No Fitting (4" O.D.)

#### Exhaust Fitting:

2F- 2" FNPT  
 3T- 3" O.D. Tube  
 NF- No Fitting (4" O.D.)

### Other Options

Thermocouple Fitting  
 Thermocouple  
 Insulation Blanket

### Specifications

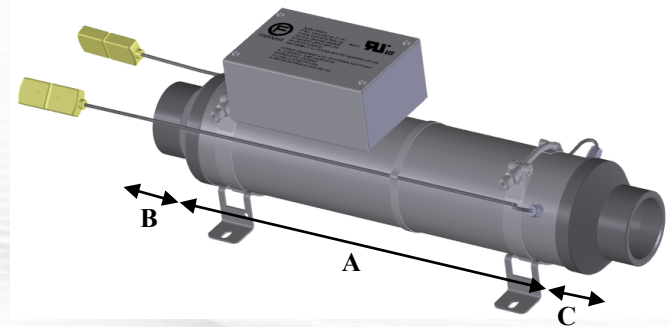
#### Category:

Open Coil Heaters,  
 Inline Heaters, Process Heaters

Max. wattage: 35kW  
 Max. exhaust air temp.: 900°F  
 Max. inlet air temp.: 250°F  
 (consult factory for higher inlet temp.)  
 Max. SCFM: 500  
 Max allowable pressure: 3 psig  
 Mounting: Horizontal/Vertical  
 Heater Body: Stainless Steel 304  
 Inlet Fitting: Stainless Steel 304  
 Exhaust Fitting: Stainless Steel 304

Wattage	Min. SCFM Req.
5.0kW	19.1
10.0kW	38.2
15.0kW	57.2
20.0kW	76.3
25.0kW	95.4
30.0kW	114.5
35.0kW	133.6

Airflow (SCFM)	Pressure Drop (H2O) w/o fittings	Pressure Drop (H2O) 2" female NPT
50	0.1	0.8
100	0.4	2.0
150	1.0	3.6
200	1.7	5.6
250	2.4	7.9
300	3.4	10.7
350	4.6	13.9
400	6.0	17.5
450	7.6	21.5
500	9.3	25.9



Visit [www.farnam-custom.com](http://www.farnam-custom.com) for detailed drawings

	A	Inlet Fitting	B	Exhaust Fitting	C
FT400 Short	16.5"	NF	0	NF	0
FT400 Short	16.5"	2F	2.02"	2F	2.02"
FT400 Short	16.5"	3T	3.0"	3T	3.0"
FT400 Long	22.0"	NF	0	NF	0
FT400 Long	22.0"	2F	2.02"	2F	2.02"
FT400 Long	22.0"	3T	3.0"	3T	3.0"

### Part Number Key

FT400	5000	240	1	2F	2F	TF1	(XXX)
Flow Torch 400	Wattage	Voltage	Phase	Inlet Fitting	Exhaust Fitting	Thermocouple Fitting	Modification

ISO  
 9001:2008  
 REGISTERED



# SOUTHEAST THERMAL SYSTEMS

WWW.SETHERMAL.COM

SALES@SEETHERMAL.COM

phone: 704-399-4248