

## Energy Transition



## RV Comfort takes to the open road with the efficiencies of electrification

In the recreational vehicle industry, whether it's a tow-behind, small travel trailer, fifth wheel, or large diesel pusher, manufacturers are all heating their products, and for the most part they are all using propane. Propane has its disadvantages. If you are at a site for an extended period of time you are potentially going to need to move to get your tanks refilled, or take your tanks off the RV and drive them to get them filled. Either can be time consuming and a pain. Propane is not as dry as electric heat and in certain conditions it seems like your camper is never dry. And finally, propane users miss out on the cost savings opportunity presented in your daily flat rate fees for the campsite. As part of that daily rate you get unlimited electricity which is a nice benefit if you are heating your RV with an aftermarket electric heater. Even if you have to pay for your electricity at least its 100% efficient, where the gas furnaces vent nearly 40% of everything you put into it out the flue.

Larry McGaugh from Seattle-based RV Comfort Systems developed an electric solution that allows most compatible RV's to install an electric after-market heater and easily switch back and forth from electric to propane depending on their needs. Larry did all the leg work to develop a prototype and get it RVIA (RV Institute of America) compliant and UL Approved. TUTCO worked within Larry's envelope of space to design a heater that met the standards required by the RV industry. Further discussions have allowed us to add additional upgrades value placing specific Systems changing customer's needs.

Today, Larry sells after-market coil kits to dealers across the country allowing them to retrofit campers with electric heaters. He also sells to premier brands which allow customers to order an electric heat option on their new campers. To find out more about this product go to [www.rvcomfortsystems.com](http://www.rvcomfortsystems.com).

**CheapHeat™**

# The MC-5A Temperature Controller



The MC-5A delivers quick and easy temperature regulation for flexible heaters as well as a range of TUTCO Farnam and TUTCO SureHeat products. The multi-colored RGB LED, which informs you of operation states, process events, and alarms, features an easy-to-read digital display that allows you to monitor the set point temperature and the heater's process temperature. Using the programming fob, which is inserted into the RJ-11 jack, you simply enter your set point temperature. When finished, remove the programming fob to prevent unauthorized changes to the set point temperature. As a safety feature, power is automatically turned off while in program mode or should the heater exceed the high limit temperature of 200°C.

[LEARN MORE](#)

## Feature Video TUTCO SureHeat compact and efficient Jet Heaters



National Sales Manager, A.J. Nidek showcases the TUTCO SureHeat all-purpose, single phase JET electric air heater. The Jet, which provides a compact and efficient heating solution to reach air temperatures up to 1400°F (760°C), is available in a 3.0kW or 8.0kW, 240V 1Ø units. Two type "K" thermocouples with a convenient terminal block make the Jet easy to wire and operate. To ensure safety, power, and perfect control, connect with the optional Jet Control Panel.

[WATCH THE VIDEO](#)

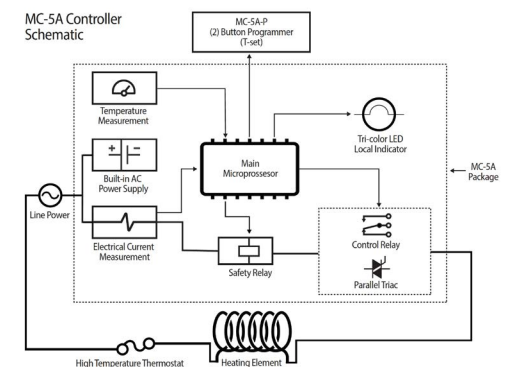
### Specifications

Input Voltage	85 – 240 VAC 50/60 Hz
Maximum Current	5A
Set Point Range	0C – 200C (32F – 392F)
Input Sensor	The female Type K mini connector*
Housing Dimensions	3.51" L X 1.91" W X 1.10" H

### Compatible Heaters

- Flexible Heaters
- Axial Fan Heaters
- Small Mica Heat Torch™ Heaters
- Small Ceramic Heat Torch™ Heaters
- Small Cool Touch™ Heaters
- Series I Heaters

### Schematic



# SOUTHEAST THERMAL SYSTEMS

WWW.SETHERMAL.COM

SALES@SEETHERMAL.COM

phone: 704-399-4248