



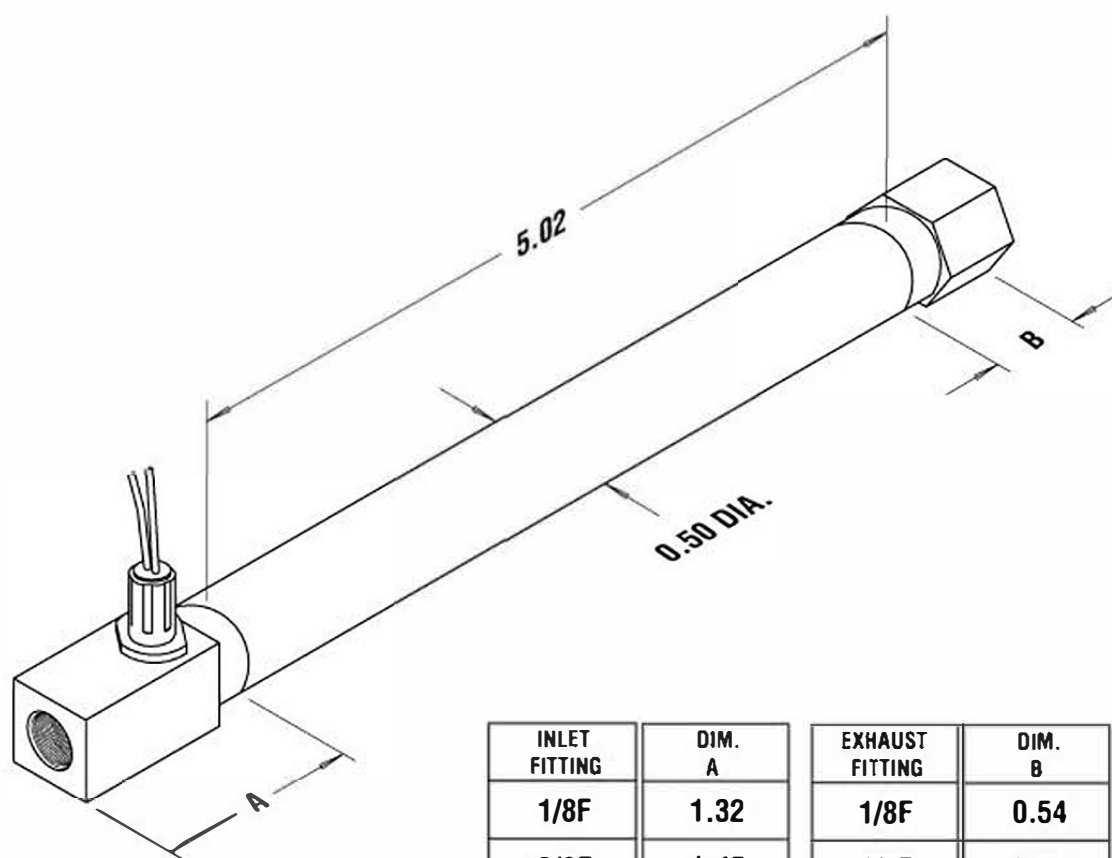
SOUTHEAST THERMAL SYSTEMS

WWW.SETHERMAL.COM

SALES@SEETHERMAL.COM

phone: 704-399-4248

Heat Torch 050



INLET FITTING	DIM. A	EXHAUST FITTING	DIM. B
1/8F	1.32	1/8F	0.54
3/8F	1.45	1/4F	0.85
CB	1.32	NF	0.04