



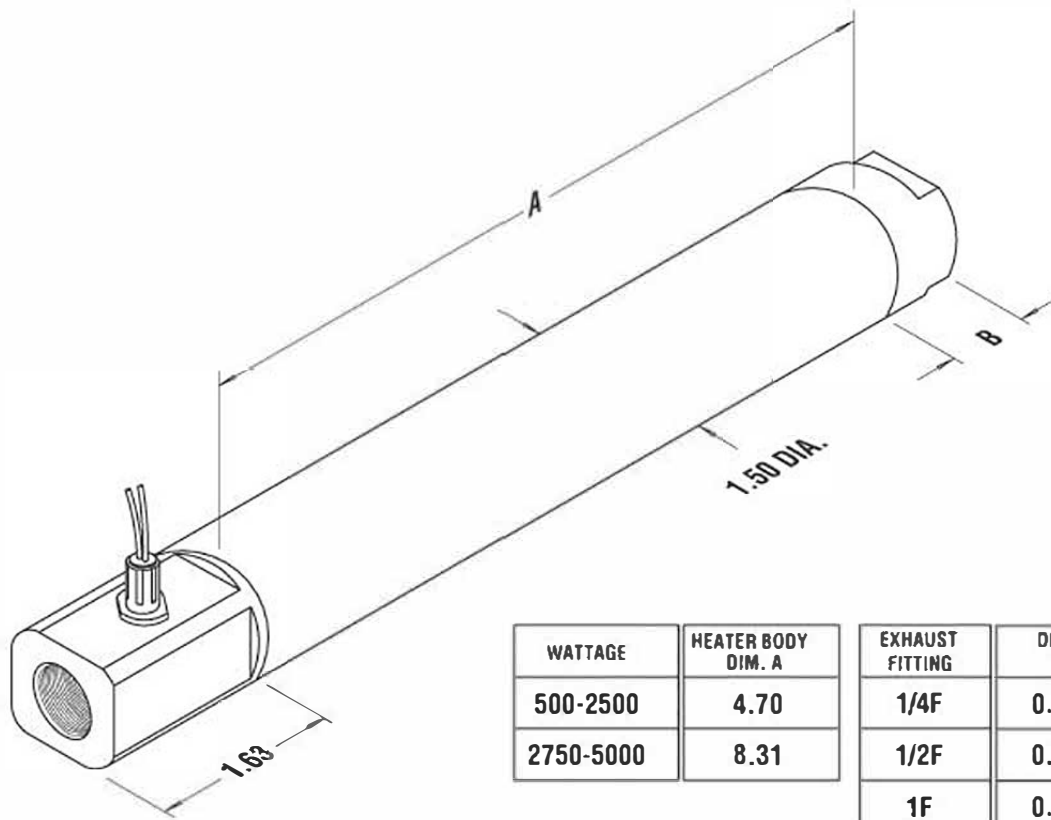
SOUTHEAST THERMAL SYSTEMS

WWW.SETHERMAL.COM

SALES@SEETHERMAL.COM

phone: 704-399-4248

Heat Torch 150



WATTAGE	HEATER BODY DIM. A	EXHAUST FITTING	DIM. B
500-2500	4.70	1/4F	0.83
2750-5000	8.31	1/2F	0.87
		1F	0.88
		NF	0.06