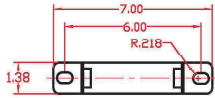
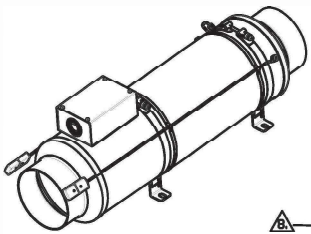
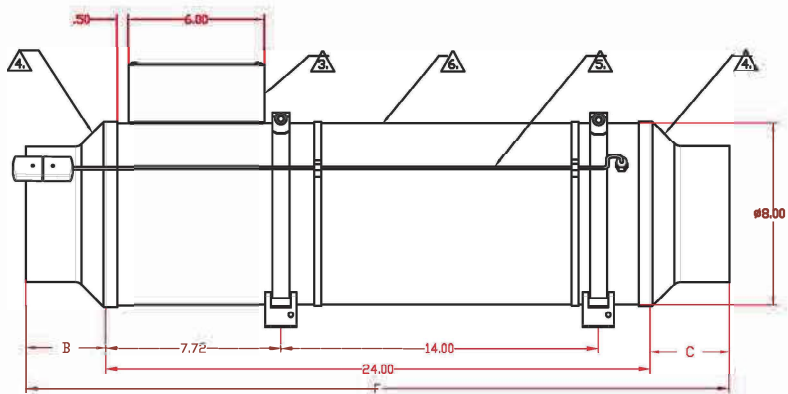
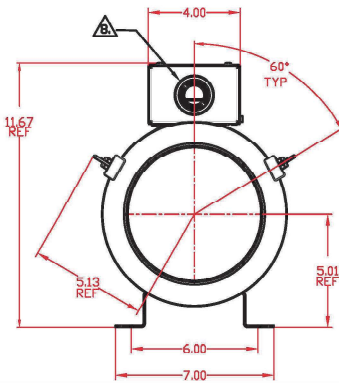


REV	DESCRIPTION	DATE	BY
A	11/10/15	WEBSITE RELEASE	ND
B	02/04/16	ADDED NOTES - FEARRANGED, NEW TOLERANCES	RLB/ND

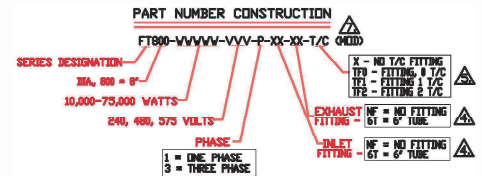


MOUNTING DETAIL
14 GA. 304 STAINLESS STEEL



A	INLET FITTING	B	EXHAUST FITTING	C
24.00"	NF	0	NF	0
24.00"	6T	3.50"	6T	3.50"

F = A + B + C



- ⚠ CHECKOUTS FOR VARIABLE CONDUIT SIZE OPTIONS: 1/2", 3/4", 1", 1-1/4"
- ⚠ OPTIONAL MODIFICATION NUMBER IS ASSIGNED FOR CUSTOM CONFIGURATION
- ⚠ STANDARD TUBE IS 24' LG .120" WALL 304 STAINLESS STEEL
- ⚠ THERMOCOUPLE FITTINGS (4 OR 2) MAY BE INSTALLED WITH OR WITHOUT THERMOCOUPLE; TYPE K IS STANDARD
- ⚠ INLET & EXHAUST FITTING OPTIONS ARE: 6T (6.0" O.D) OR NO FITTING; FITTINGS ARE MADE FROM 16 GA. 304 STAINLESS STEEL
- ⚠ JUNCTION BOX WITH (6) POSITION TERMINAL STRIP INSIDE

2. LEADWIRE IS 10 GA. BLACK 600V 200C UL3075
STANDARD LENGTH IS 15' TO TERMINATE IN JUNCTION BOX

NOTES: 1. FT800 TYPICALLY USED WITH CLEAN DRY AIR SUPPLY

<p>CONFIDENTIAL</p> <p>THIS DOCUMENT CONTAINS PROPRIETARY INFORMATION OF FARNAM CUSTOM PRODUCTS AND ITS RECEIPT OR POSSESSION DOES NOT CONVEY ANY RIGHTS TO REPRODUCE, DISCLOSE ITS CONTENTS OR TO MANUFACTURE, USE, OR SELL ANYTHING IT MAY DESCRIBE, REPRODUCE, REVERSE ENGINEER, OR USE WITHOUT SPECIFIC WRITTEN AUTHORIZATION OF FARNAM CUSTOM PRODUCTS IS STRICTLY FORBIDDEN.</p> <p>FILE: FT800-6T-6T-TF2A</p>	<p>THIRD ANGLE PROJECTION</p>	<p>SOUTHEAST THERMAL SYSTEMS</p>
	<p>TOLERANCES: FRACTIONS: AS SHOWN DECIMALS: .0005 - .010 ANGLES: .010</p>	

DESIGN: M. DULKEN DATE: 11/10/15 SHEET: 1 OF 1 END: C