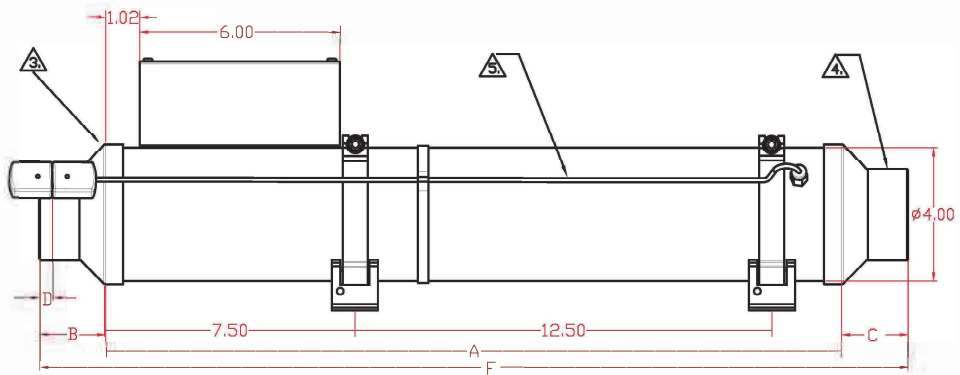
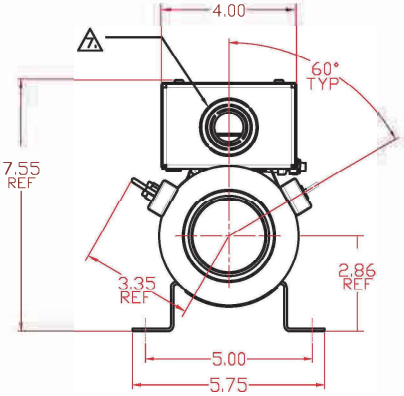
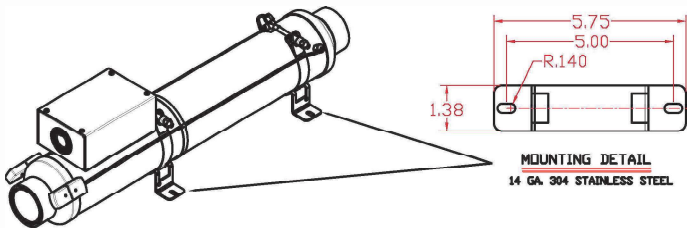
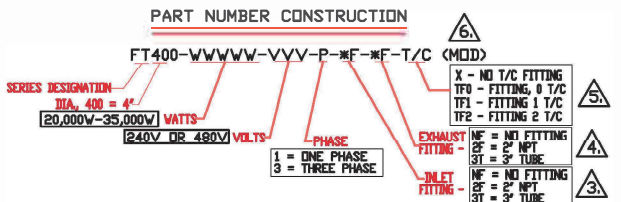


REV	DATE	DESCRIPTION	BY	CHK
A	11/09/15	WEBITE RELEASE		MD
B	102/01/16	TEXT EDITS, ADDITIONAL NOTES, REARRANGED	RLB	DEF



INLET FITTING	A	B	EXHAUST FITTING	C	D
NF	22.0"	0	NF	0	1.62"
2F	22.0"	2.02"	2F	2.02"	-0.40"
3T	22.0"	3.00"	3T	3.00"	-0.38"

F = A + B + C



- ⚠️ KNOCKOUTS FOR VARIABLE CONDUIT SIZE OPTIONS: 1/2", 3/4", 1", 1-1/4"
- ⚠️ OPTIONAL MODIFICATION NUMBER IS ASSIGNED FOR CUSTOM CONFIGURATION.
- ⚠️ OPTIONAL TYPE K THERMOCOUPLE MAY BE INSTALLED (1 or 2 PROBE CONFIGURATION AVAILABLE)
- ⚠️ EXHAUST FITTING OPTIONS ARE: 2F, 3T OR NO-FITTING. EXHAUST FITTINGS ARE MADE FROM 303 OR 304 STAINLESS STEEL.
- ⚠️ INLET FITTING OPTIONS ARE: 2F, 3T OR NO FITTING. INLET FITTINGS ARE MADE FROM 303 OR 304 STAINLESS STEEL.

<p>CONFIDENTIAL</p> <p>THIS DOCUMENT CONTAINS PROPRIETARY INFORMATION OF FARMAN CUSTOM PRODUCTS. OWNERS RECEIPT OR POSSESSION DOES NOT CONVEY ANY RIGHTS TO REPRODUCE, DISCLOSE ITS CONTENTS, OR TO MANUFACTURE, USE, OR SELL ANYTHING IT MAY BE DESCRIBED, REPRODUCED, RESEMBLE, OR USE WITHOUT SPECIFIC WRITTEN AUTHORIZATION OF FARMAN CUSTOM PRODUCTS IS STRICTLY FORBIDDEN.</p> <p>APPROV BY: M. DULKEN</p>	<p>THIRD ANGLE PROJECTION</p> <p>ALL DIMENSIONS ARE IN INCHES, UNLESS OTHERWISE SPECIFIED.</p> <p>SCALE: 14</p> <p>DO NOT SCALE DIMS.</p>	<p>SOUTHEAST THERMAL SYSTEMS</p> <p>TITLE: FT400 LONG 2F-2F-TF2</p> <p>DWG NO: FT400 LONG</p> <p>DATE: 11/09/15</p> <p>SHT. 1 OF 1</p>
	<p>TOLERANCES</p> <p>XX = ±.00</p> <p>XXX = ±.01</p> <p>UNLESS STATED</p>	

2. LEADWIRE IS 12 GA. BLACK 600V 200C UL1199 STANDARD 14" LEAD TERMINATES IN JUNCTION BOX

NOTES: 1. FT400 LONG TYPICALLY USED WITH CLEAN DRY AIR SUPPLY