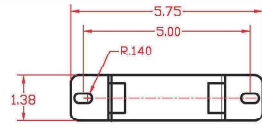
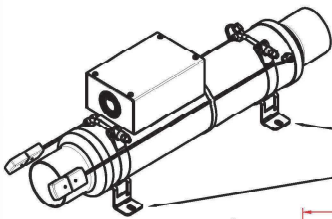
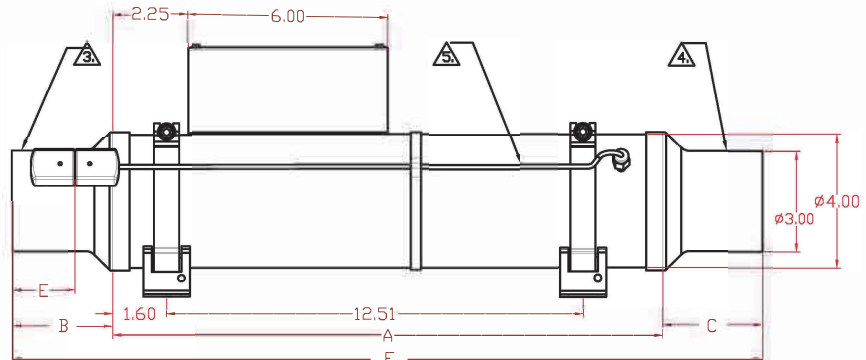
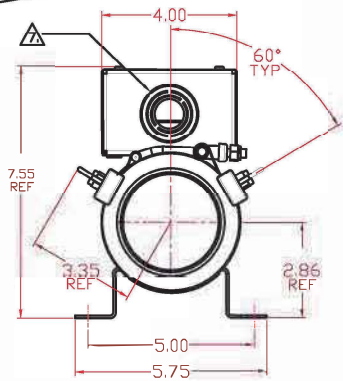


REV	DATE	DESCRIPTION	BY	CHK
A	11/06/15	WEBPLOT RELEASE		MD
B	10/20/16	ADDED NOTES, REARRANGED, NEW TOLERANCE	RLD	DEF



MOUNTING DETAIL
14 GA. 304 STAINLESS STEEL



INLET FITTING	A	B	EXHAUST FITTING	C	E
NF	16.5"	0	NF	0	1.12"
2F	16.5"	2.02"	2F	2.02"	-0.90"
3T	16.5"	3.0"	3T	3.00"	-1.88"

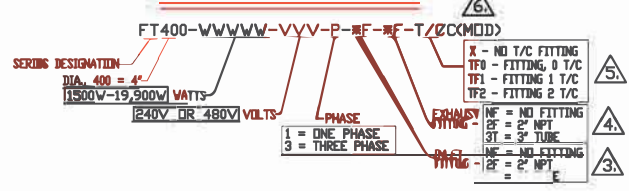
F = A + B + C

- ⚠ KNOCKOUTS FOR VARIABLE CONDUIT SIZE OPTIONS: 1/2", 3/4", 1", 1-1/4"
- ⚠ OPTIONAL MODIFICATION NUMBER IS ASSIGNED FOR CUSTOM CONFIGURATION.
- ⚠ OPTIONAL TYPE K THERMOCOUPLE MAY BE INSTALLED (1 OR 2 PROBE CONFIGURATION AVAILABLE)
- ⚠ EXHAUST FITTING OPTIONS ARE: 2F, 3T OR NO-FITTING
EXHAUST FITTINGS ARE MADE FROM 303 OR 304 STAINLESS STEEL
- ⚠ INLET FITTING OPTIONS ARE: 2F, 3T OR NO FITTING
INLET FITTINGS ARE MADE FROM 303 OR 304 STAINLESS STEEL

2. LEADWIRE IS 12 GA. BLACK 600V 200C UL1199
STANDARD 14" LEAD TERMINATES IN JUNCTION BOX

NOTES: 1. FT400 SHORT TYPICALLY USED WITH CLEAN DRY AIR SUPPLY

PART NUMBER CONSTRUCTION



<p>CONFIDENTIAL</p> <p>THIS DOCUMENT CONTAINS PROPRIETARY INFORMATION OF FARMAN CUSTOM PRODUCTS. OWNERSHIP OF THIS DOCUMENT CONVEYS NO RIGHTS TO REPRODUCE, DISCLOSE ITS CONTENTS, OR TO MANUFACTURE, USE, OR SELL ANYTHING IT MAY DESCRIBE. REPRODUCTION, DISCLOSURE, OR USE WITHOUT SPECIFIC WRITTEN AUTHORIZATION OF FARMAN CUSTOM PRODUCTS IS STRICTLY FORBIDDEN.</p> <p>APPROV. BY: M. DULKEN</p>	<p>THIRD ANGLE PROJECTION</p>	<p>SOUTHEAST THERMAL SYSTEMS</p> <p>EST. 1988</p>
	<p>TOLERANCES UNLESS SPECIFIED: .0005" - .001" ANGLES 45°/45°</p> <p>SCALE: 14</p> <p>DO NOT SCALE DIMS.</p>	