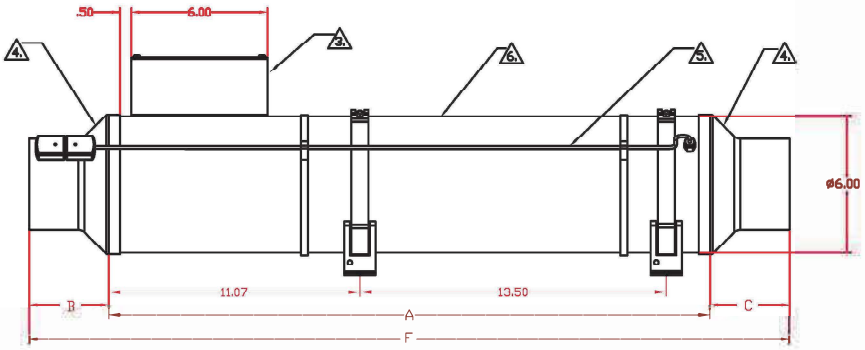
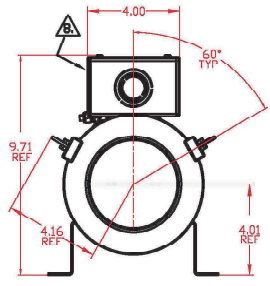
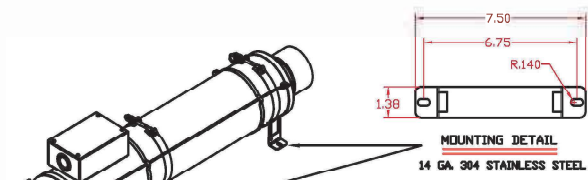


REV	DESCRIPTION	DATE	BY
A	11/09/15	WEBSITE RELEASE	ND
B	02/01/16	ADD NOTES, CHANGE NEW TOLERANCE	RLB



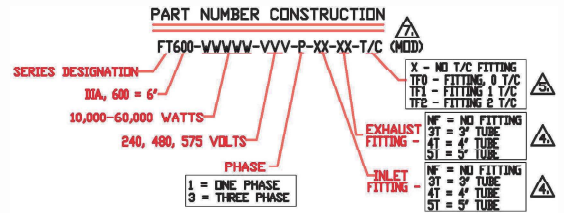
A	INLET FITTING	B	EXHAUST FITTING	C
26.50"	NF	0	NF	0
26.50"	4T, 5T	3.5"	4T, 5T	3.50"
26.50"	3T	3.75"	3T	3.75"

$F = A + B + C$

- ⚠ MOUNTS FOR VARIABLE CONDUIT SIZE OPTIONS: 1/2", 3/4", 1", 1-1/4"
- ⚠ OPTIONAL MODIFICATION NUMBER IS ASSIGNED FOR CUSTOM CONFIGURATION.
- ⚠ STANDARD TUBE IS 6.00" OD & .089" WALL 304 STAINLESS STEEL.
- ⚠ THERMOCOUPLE FITTINGS (4 OR 2) MAY BE INSTALLED WITH OR WITHOUT THERMOCOUPLE. TYPE K IS STANDARD.
- ⚠ INLET & EXHAUST FITTING OPTIONS ARE: 3T (3" O.D.), 4T (4" O.D.) & 5T (5" O.D.) FITTINGS ARE MADE FROM 16 GA 304 STAINLESS STEEL.
- ⚠ JUNCTION BOX WITH (6) POSITION TERMINAL STRIP INSIDE.

2. LEADWIRE IS 10 GA. BLACK 600V 200C UL3075 STANDARD LENGTH IS 14" TO TERMINATE IN JUNCTION BOX

NOTES: 1. USE WITH CLEAN DRY AIR SUPPLY



<p>CONFIDENTIAL</p> <p>THIS DOCUMENT CONTAINS PROPRIETARY INFORMATION OF FARNAM CUSTOM PRODUCTS. ANY REPRODUCTION OR DISSEMINATION OF THIS INFORMATION WITHOUT THE WRITTEN AUTHORIZATION OF FARNAM CUSTOM PRODUCTS IS STRICTLY FORBIDDEN.</p> <p>APPROV. BY: M. DULKEN</p>	<p>THIRD ANGLE PROJECTION</p>	<p>SOUTHEAST THERMAL SYSTEMS</p>
	<p>SCALE: 1:1 NO NET SCALE DIMS.</p> <p>TOLERANCES: FRACTIONS: ±.005 DECIMALS: ±.005 HOLE DIA: ±.005</p>	