

Fig. 1

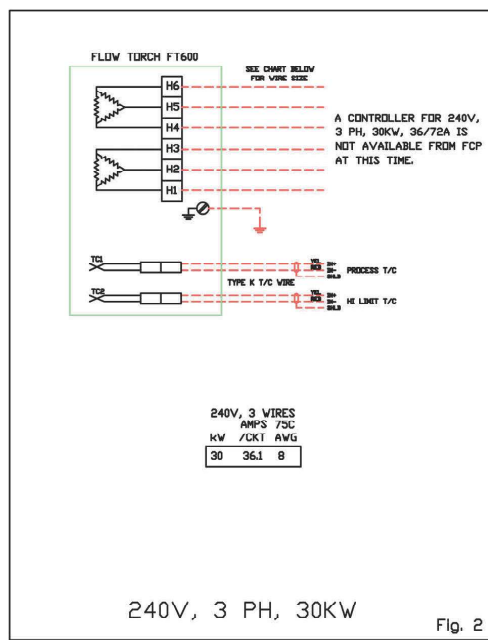


Fig. 2

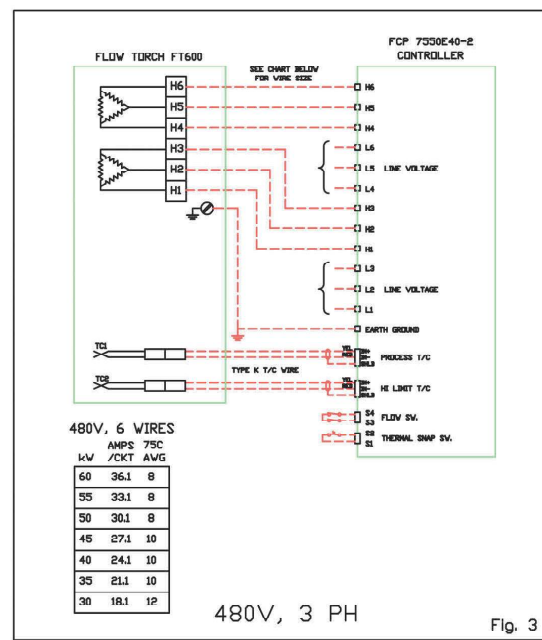


Fig. 3

NOTES:

- 1.) FIELD WIRING (BY USER) IS INDICATED AS - - - - -.
- 2.) THE SUGGESTED WIRE SIZE IS SHOWN IN THE CHARTS.
- 3.) ALL T/C WIRING IS TYPE K.
- 4.) FACTORY WIRING OF THE ELEMENTS IS 10AWG, 600V, 200C WIRE.
- 5.) THE TERMINAL BLOCK IS RATED 85A; WIRE RANGE IS 4-18AWG.
- 6.) DO NOT RUN CONTROL SIGNAL WIRING WITH POWER WIRING.
- 7.) ALL WIRING AND INSTALLATION SHALL COMPLY WITH LOCAL AND NATIONAL ELECTRIC CODE (N.E.C.).

FT600
WIRING DIAGRAMS