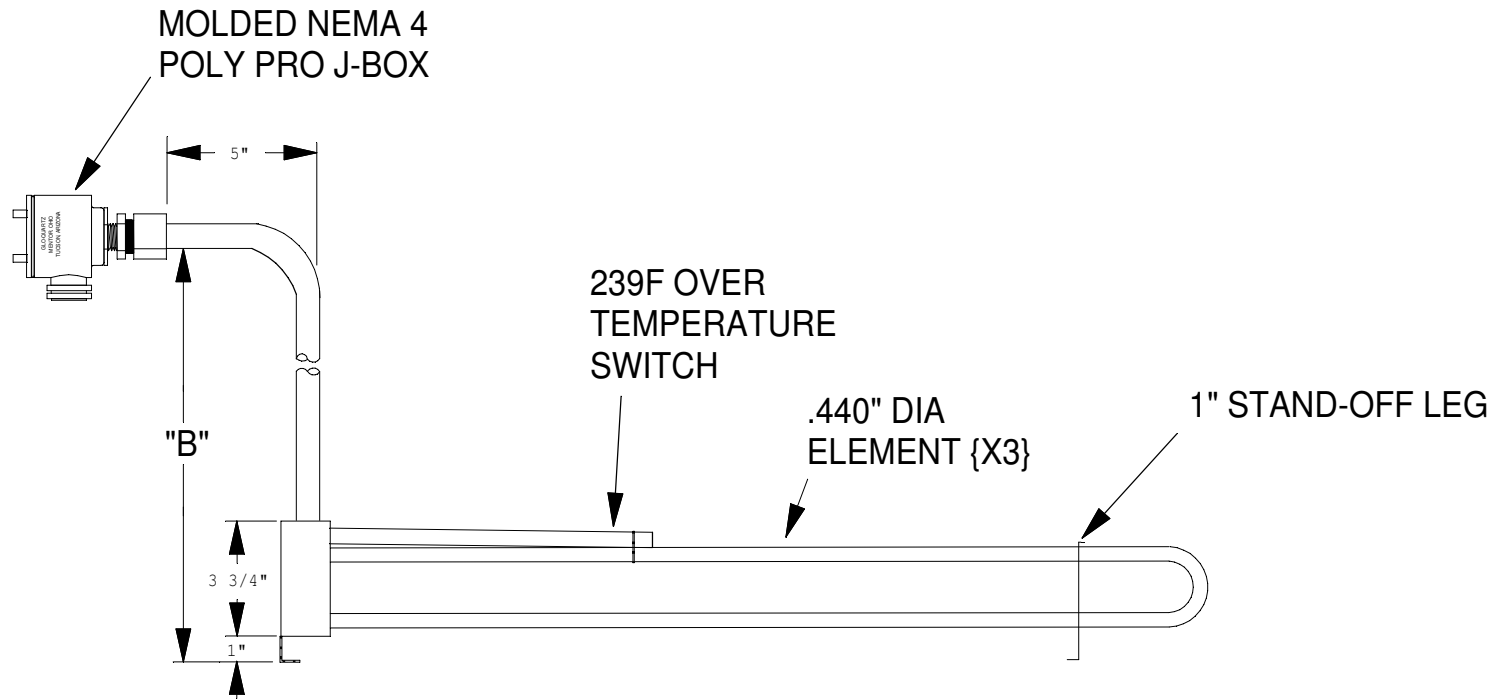
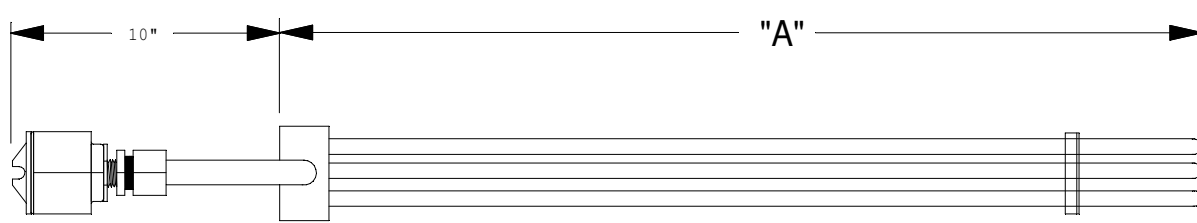


"A" = HEATER LENGTH

"B" = RISER HEIGHT



DIMENSIONS ARE IN INCHES (MM)  
 TOLERANCES ARE AS FOLLOWS, UNLESS NOTED  
 1/XX<sub>+</sub> + 1/8" (3mm) 1/XX<sub>+</sub> + 1/16" (1mm)  
 .0X<sub>+</sub> + .01" (.25mm) .00X<sub>+</sub> + .005" (.1mm)  
 ANGLES ± 1°

NOTES:

REVISION DATE	REV. NUMBER	DESCRIPTION OF REVISION	REV'D BY	APP'D BY



**SOUTHEAST  
 THERMAL SYSTEMS**

TITLE: **L3 SERIES**

CUSTOMER:		
DESIGN BY:	DESIGN DATE:	
DRAWN BY:	DRAWN DATE:	
CHECKED BY:	CHECK DATE:	
RELEASED FOR:	SCALE:	SHEET No.:
DRAWING NUMBER:	REV.:	