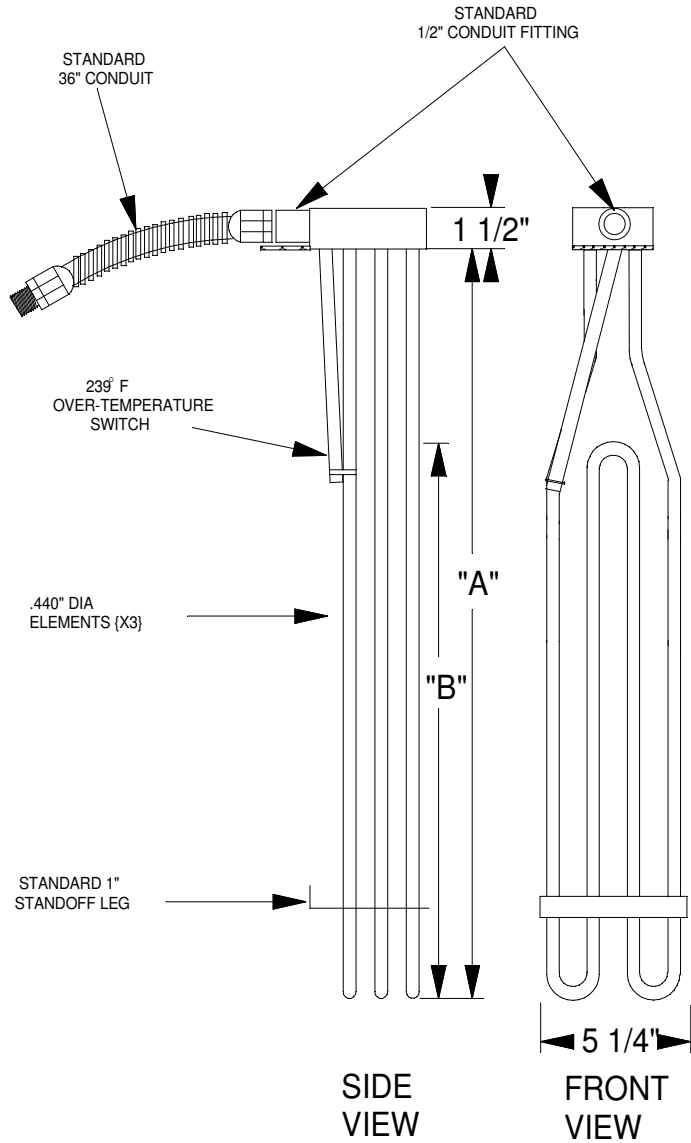
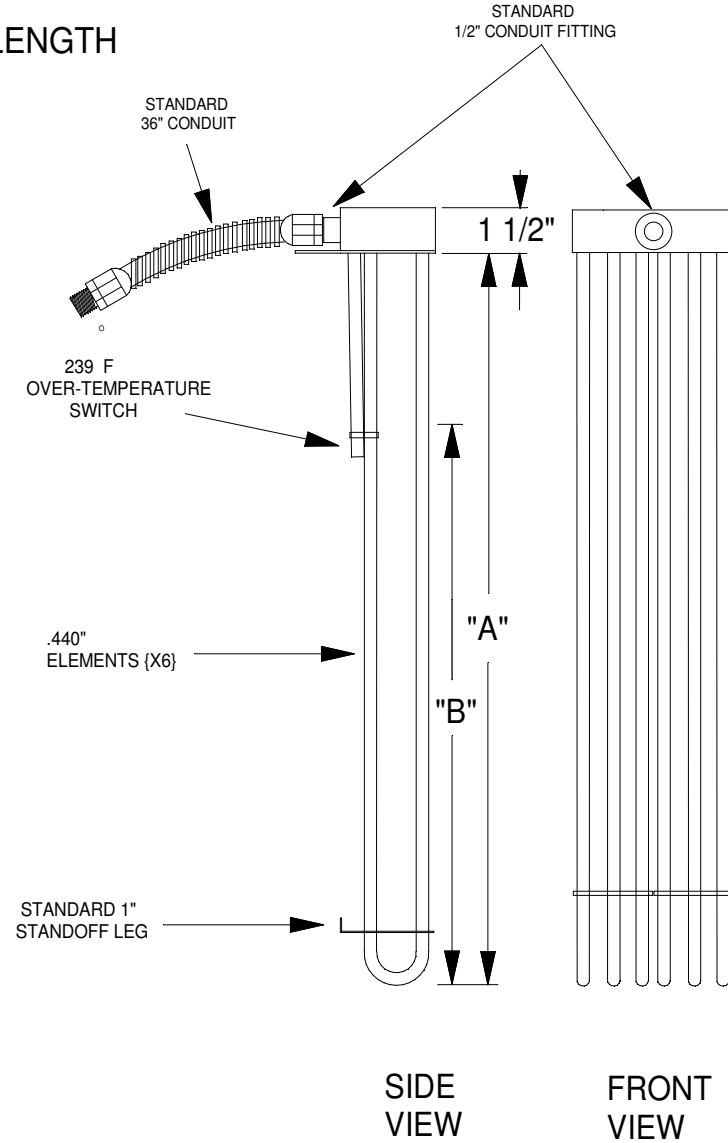


UNDER 40" IMMERSION



"A" = IMMERSION LENGTH
 "B" = HEATED LENGTH

OVER 40" IMMERSION



DIMENSIONS ARE IN INCHES (MM)
 TOLERANCES ARE AS FOLLOWS, UNLESS NOTED
 1/XX₊ + 1/8" (3mm) 1/XX₊ + 1/16" (1mm)
 .0X₊ + .01" (.25mm) .00X₊ + .005" (.1mm)
 ANGLES ± 1°

REVISION DATE	REV. NUMBER	DESCRIPTION OF REVISION	REV'D BY	APP'D BY



TITLE: W6 SERIES		
CUSTOMER:		
DESIGN BY:	DESIGN DATE:	
DRAWN BY:	DRAWN DATE:	
CHECKED BY:	CHECK DATE:	
RELEASED FOR:	SCALE:	SHEET No.:
DRAWING NUMBER:	REV.:	