

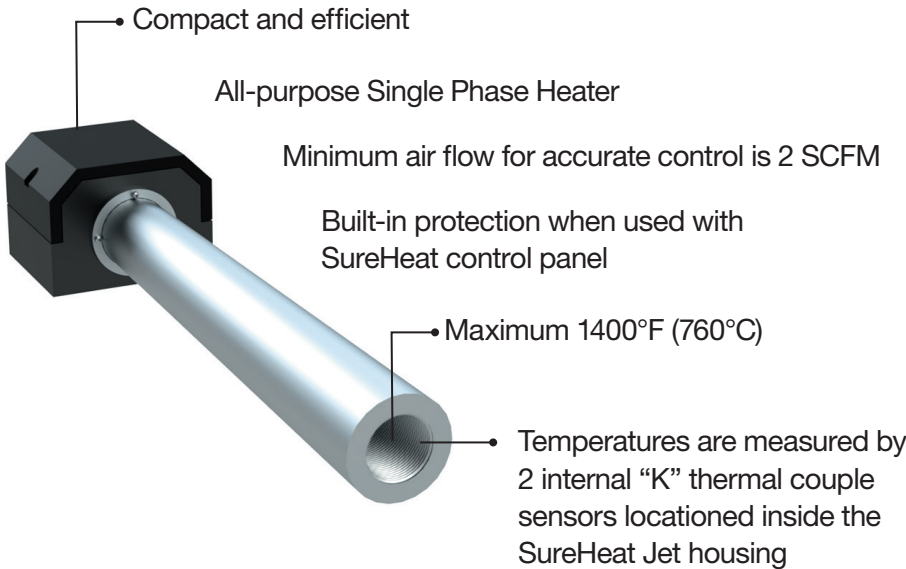
# Jet Heaters



## A Closed-Loop Efficient Heat Solution Temperatures up to 1400°F (760°C)

The JET provides a compact and efficient heater solution for air temperatures up to 1400°F (760°C). Available in a 3.0kW or 8.0kW, 240V 1PH unit, the Jet offers two type “K” thermocouples with a convenient terminal block for easy wiring. To ensure safety, power and perfect control, connect with the optional Jet Control Panel. Each heater has a convenient method for mounting the housing and offers a ground stud located at the inlet of the heater.

### Features and Benefits



Product Specifications	
Maximum Inlet Air Pressure	<b>60 PSI (4 BAR)</b>
Maximum Inlet Air Temperature	<b>200°F (93°C)</b>
Maximum Exit Air Temperature	<b>1400°F (760°C)</b>
Minimum Airflow (Recommended)	<b>2 SCFM (57 SLPM)</b>
Exit Air Connection:	<b>1” FNPT</b>
Inlet Air Connection:	<b>3/4” FNPT</b>

Use of other sensor types and/or locations can result in heater damage



### SureHeat® Jet Products

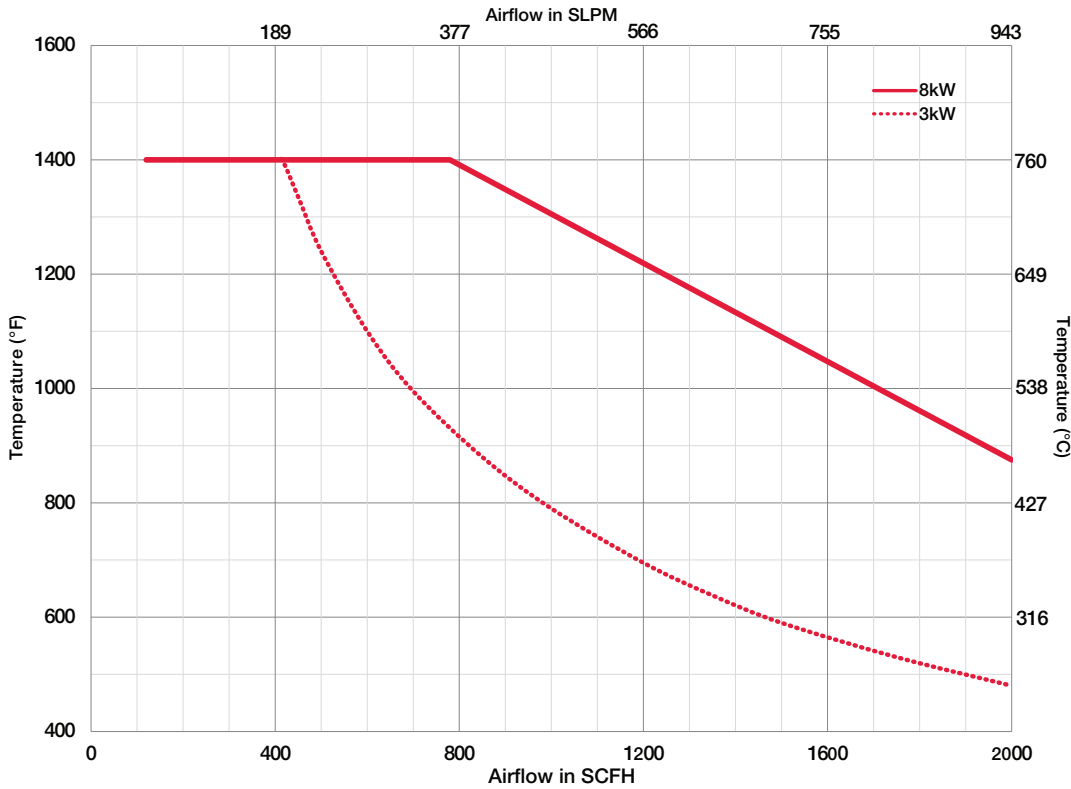
Part Number	Power kW	Max. Volts / ø	Max. Amps
F074718	3.0	240 / 1	12.5
F074719	8.0	240 / 1	33.3

### Compatible Contollers

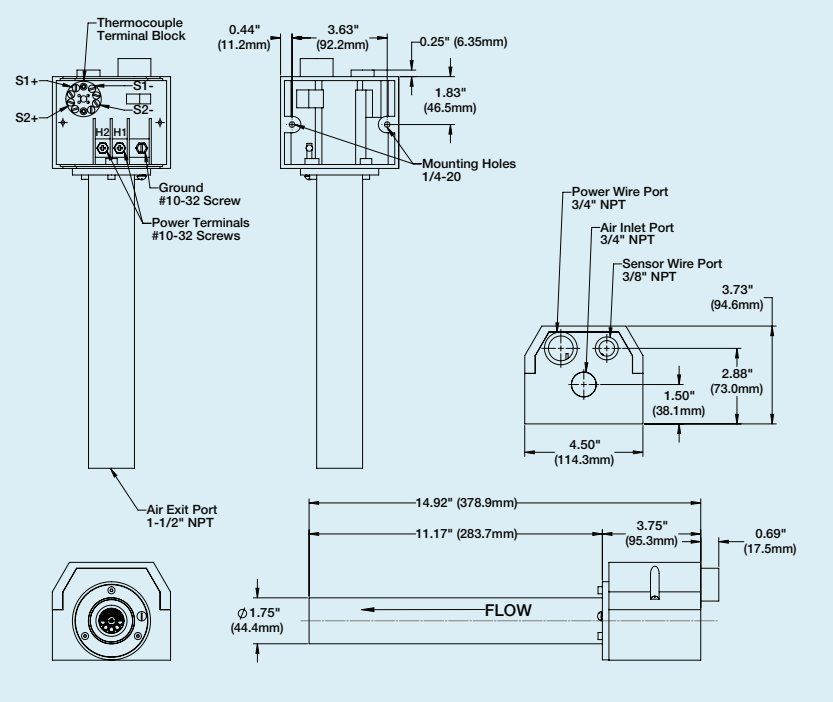
Part Number	Input Power	Phase	Amps	Labeling
F078420	240V 50/60Hz	Single Phase	40 Amp	UL 508A, CE Compliant, RoHS

Performance Curves

Jet Maximum Performance



Dimensions / Installation Reference



Notes:

- Temperatures are measured by internal "K" T/C sensors located inside the Jet Housing
- Use of other sensor types and/or locations can result in heater damage
- Minimum airflow for accurate control is 2 SCFM
- Maximum air temperature is 1400°F (760°C)
- Operating above temperature voids the product warranty