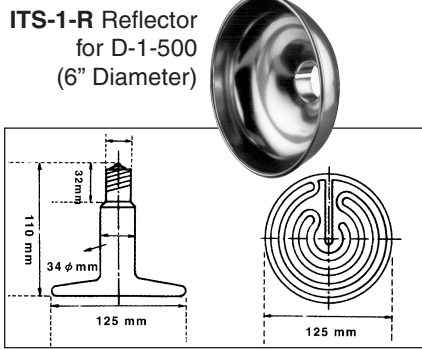
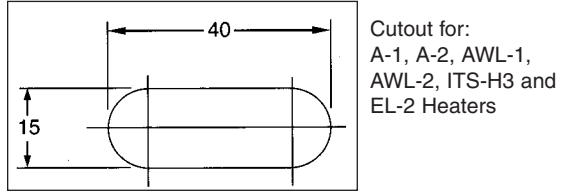
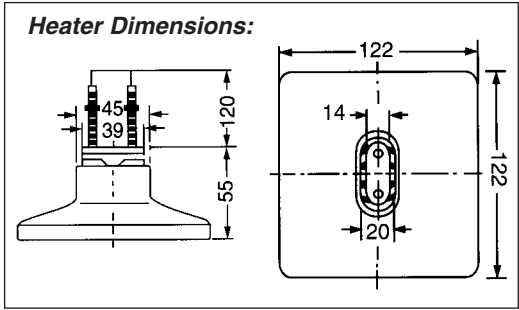


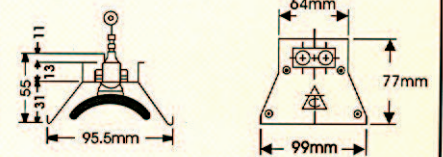
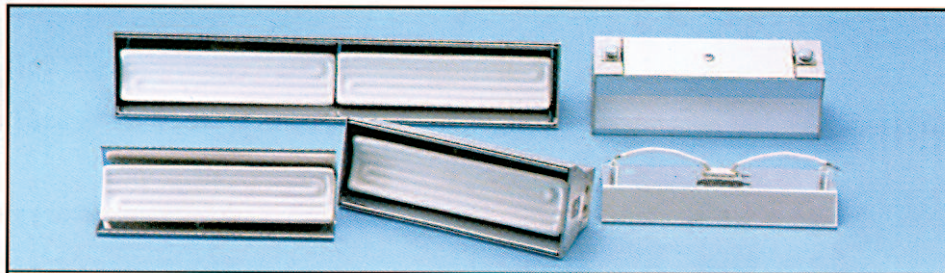
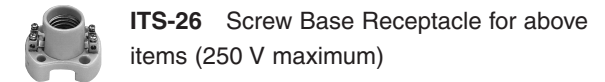
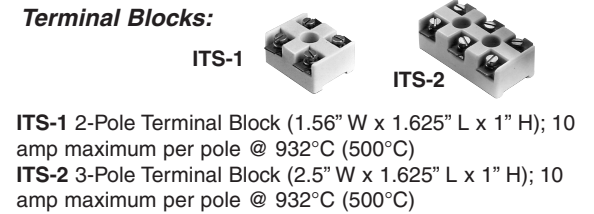
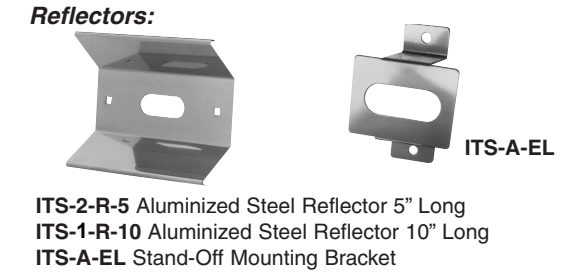
Energy Saving Flat Bottom Square (122 x 122 mm) Hollow Ceramic Infrared Heaters 4.7" (12 cm) Beaded Leads with Ring Tongue Connectors:

Part Number	Size	Color	Voltage	Wattage	Surface Temp
EL-2-800-B-2	122 x 122	Black	220/230	800	720°C
EL-2-650-B-2	122 x 122	Black	220/230	650	650°C
EL-2-800-B-2-K	122 x 122	Black	220/230	800	720°C
EL-2-650-B-2-K	122 x 122	Black	220/230	650	650°C

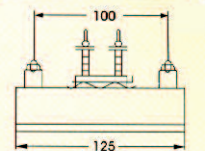
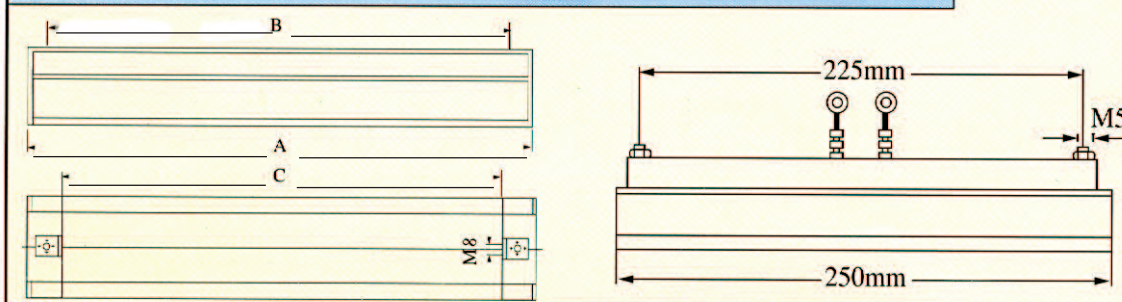


Energy Saving Round Bottom 5" Diameter (125 mm) Hollow Ceramic Infrared Heaters Height: 4.33" (110 mm) Socket Type: E26x32

Part Number	Size	Color	Voltage	Wattage	Surface Temp
D-1-500-B-2	125	Black	220/230	500	600°C
D-1-500-B-1	125	Black	120	500	600°C



	A	B	C
AF-250	255	217	190
AF-500	505	467	440
AF-750	755	717	690
AF-1000	1005	967	940
AF-1250	1255	1217	1190



Aluminum Housings for the above Ceramic Infrared Heaters:

- AF-250** Housing for Ceramic Infrared Heaters for ITS-1 and ITS-H1 Series Heaters (1 heater @ 245 mm long)
- AF-500** Housing for Ceramic Infrared Heaters for ITS-1 and ITS-H1 Series Heaters (2 heaters @ 245mm long)
- AF-750** Housing for Ceramic Infrared Heaters for ITS-1 and ITS-H1 Series Heaters (3 heaters @ 245mm long)
- AF-1000** Housing for Ceramic Infrared Heaters for ITS-1 and ITS-H1 Series Heaters (4 heaters @ 245mm long)
- AF-1250** Housing for Ceramic Infrared Heaters for ITS-1 and ITS-H1 Series Heaters (5 heaters @ 245mm long)