

1 2 3 4 5 6

A

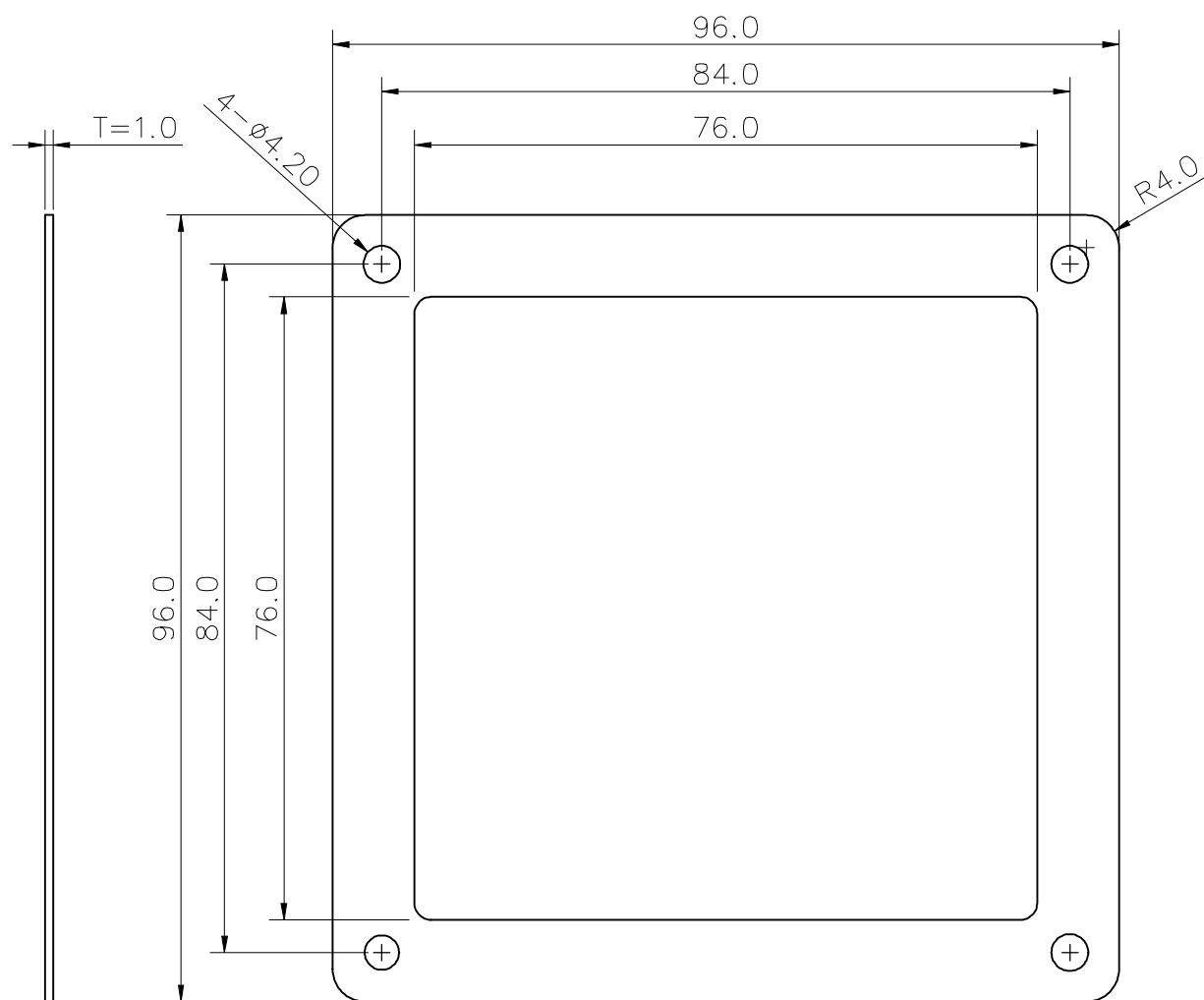
A

B

B

C


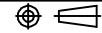
C



Material: Silicone

D

1 2

		General Tolerance .X .XX .XXX	Angle Tolerance .X° .XX° .XXX°		
		MATERIAL: 矽膠	UNIT: mm		
	NAME	SIGNATURE	DATE	SCALE:	DWG NO.
DRAWN				SHEET SIZE:	REVISION 01
CHK'D					PART NO.
APPV'D					