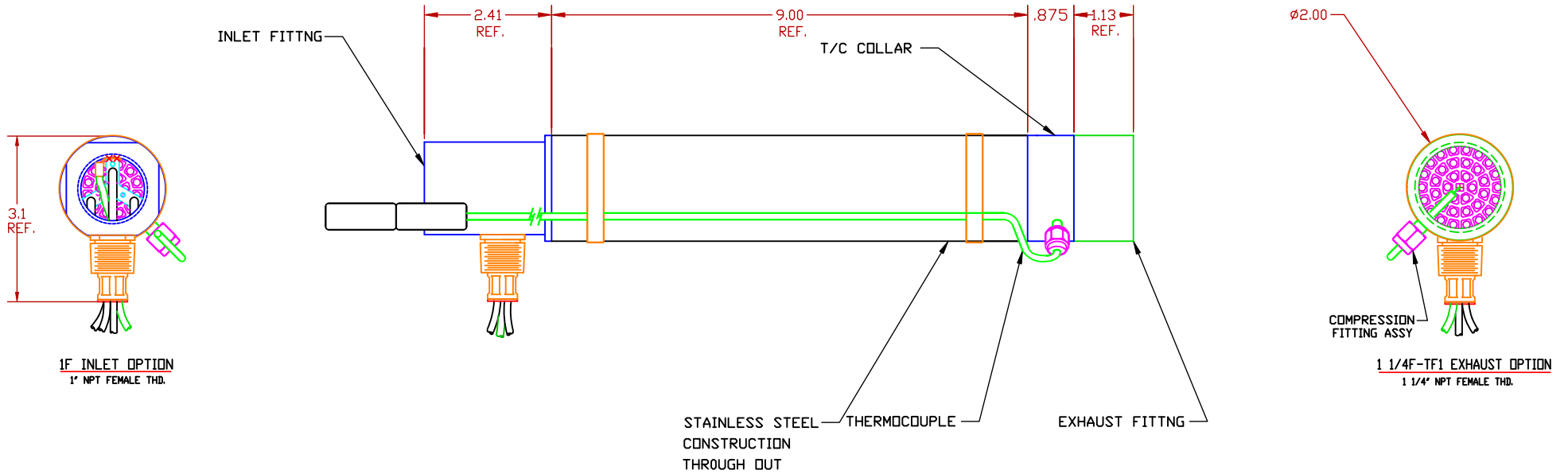


REV.	DATE	DESCRIPTION	REV'D BY	APPV'D BY
A	01/24/08	PRE-RELEASE		DD



CONFIDENTIAL THIS DOCUMENT CONTAINS PROPRIETARY INFORMATION OF FARNAM CUSTOM PRODUCTS (AND ITS RECEIPT OR POSSESSION DOES NOT CONVEY ANY RIGHTS TO REPRODUCE, DISCLOSE ITS CONTENTS, OR TO MANUFACTURE, USE, OR SELL ANYTHING IT MAY DESCRIBE). REPRODUCTION, DISCLOSURE, OR USE WITHOUT SPECIFIC WRITTEN AUTHORIZATION OF FARNAM CUSTOM PRODUCTS IS STRICTLY FORBIDDEN.	THIRD ANGLE PROJECTION 	 SOUTHEAST THERMAL SYSTEMS <small>WWW.SETHERMAL.COM SALES@SETHERMAL.COM PHONE: 704-399-4200</small>	CUSTOMER:	
	ALL DIMENSIONS ARE IN INCHES, UNLESS OTHERWISE SPECIFIED. SCALE: N.T.S. DO NOT SCALE DWG.		TITLE: HT200 W/ (1) T/C	
	TOLERANCES .XX = ± .010 .XXX = ± .005 ANGLES ± 1/2°	DWG. NO. HT200-KW-VVV-1-IF-1 1/4F-TF1		REV. A
	APPV'D. BY: D. DIEPHOLZ	DWN BY: MFT	DATE: 01/24/08	SHT. 1 of 1

NOTES: 1) HEATER RATING: UP TO 8.5kW 480V 3-PH