

PanelMAX 1330 Radiant Panel Heaters



SOUTHEAST THERMAL SYSTEMS

WWW.SETHERMAL.COM

RFQ@SETHERMAL.COM

PHONE: 704-399-4248



Technical Data:

- **Face Temperature:** 1300°F Maximum (700°C)
- **Wattage:** Watt densities up to 30 W/in² (4.7W/cm²)
- **Standard Dimensions:** ± 1/16 inch
- **Typical Peak Energy Wavelength:** 3-3.6 microns

Limitations			
Heater Dimensions	Min.	Max.	Increments
Width: inches (mm)	3.187 (81)	19.125 (485.8)	3.187 (81)
Length: inches (mm)	12 (305)	30.5 (775)	any

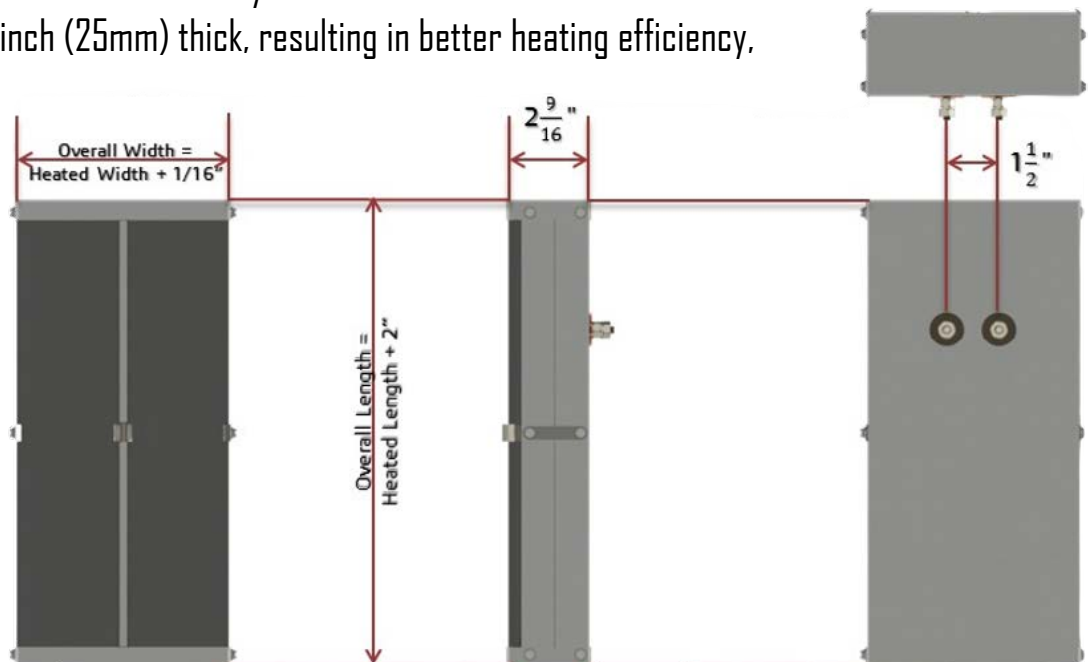
The PanelMAX 1330 is the only radiant heater that features specifically insulated heater emitter strips for higher performance. A unique compacted mineral insulation to electrically insulate the element wire, with a result of superior heat transfer and higher operating capabilities. Because of its rugged stainless steel construction, the PanelMAX 1330 will last longer. And this heater features a high emissivity black coating and a uniform, full surface heat source for better efficiency.

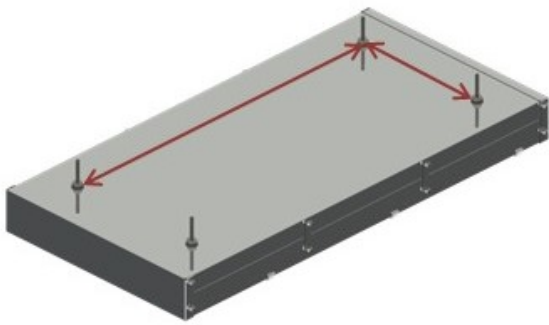
Features & Benefits:

- **Field replaceable emitter strips** allow you to avoid the cost of buying a whole new radiant heater later on.
- **Rugged metal construction** protects heater from contaminants.
- **Accurate, responsive** face temperature sensing options are available
- **No reflectors** to be cleaned or replaced
- **No fragile glass** or ceramic elements to worry about.
- **Backside insulation** is one inch (25mm) thick, resulting in better heating efficiency.

Applications:

- Thermoforming plastics and composites
- Circuit board soldering
- Heat shrinking of plastic





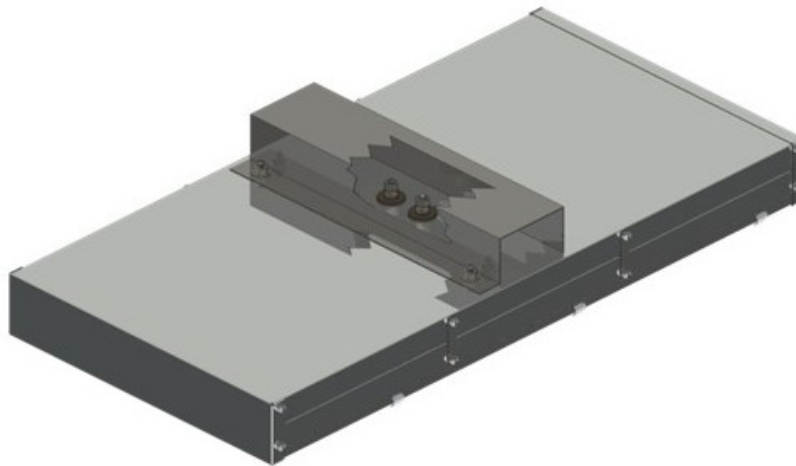
Mounting Studs

Standard 1/4 X 20 X 1 1/2 inch (M6 X 40) steel studs are welded to the case. For best support, studs should be approximately located on 12 inch centers. Consult Watlow for exact locations on specific heaters.



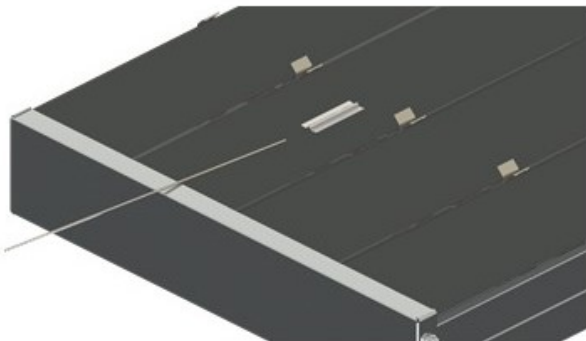
Terminal Box

To protect electrical connections, a standard NEMA terminal box is available. The standard size is 4 X 4 X 1 5/8 inches (102 X 102 X 41 mm) with knockouts for 1/2 inch (12.5 mm) conduit. Other NEMA sizes are also available.



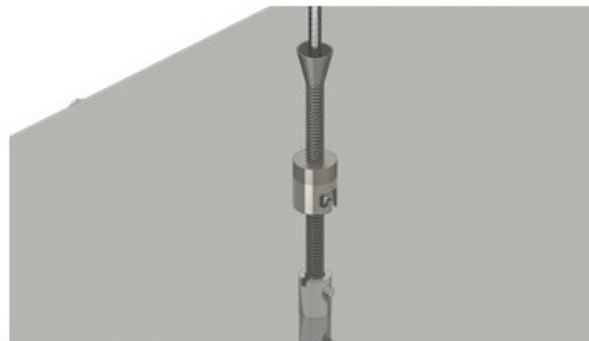
Wiring Raceway

Custom designed to your specific requirements, a steel raceway provides electrical and physical protection for all terminal connections. This can be particularly useful for multi-zone panels.



Thermocouple Pocket

A thermocouple pocket is welded to the emitting surface. The pocket accepts a 0.063 inch (1.6 mm) diameter thermocouple (not included). This option provides accurate temperature sensing and easy thermocouple replacement.



Thermowell

A thermowell allows you to use a thermocouple with a bayonet fitting to monitor heater temperature. The thermowell is located on the back of the panel to allow easy access for thermocouple replacement. Spring tension holds the tip of the thermocouple in contact for close control of the heater temperature. Thermocouple sold separately.