

CAST-X 500

Circulation Heater

CAST-X 500 is very compact, easily integrated into larger machines, medical devices and laboratories.



Designed and manufactured by Cast Aluminum Solutions (CAS), CAST-X Circulation Heaters are engineered using the latest thermal modeling and finite element analysis technology. CAST-X heaters feature low-watt-density heating elements cast into aluminum bodies which also contain the helical-coiled stainless steel flowpath tubes.

The media is sequestered in these tubes, never touching the heating elements: a critical safety benefit, especially when heating explosive or sensitive media. All CAST-X units are capable of heating liquids and gases alike.

CAST-X heaters are self-draining, for safety and cleanliness. With compact, non-welded bodies, plus NEMA & ATEX enclosures, CAST-X units are small-footprint, high-output heaters that meet the needs of high-purity processes, flammable operations, and your most critical heating applications.

APPLICATIONS:

- Ink Heating for Commercial Printing
- Analytical Instrumentation Sample Heating
- Commercial & Consumer Appliances
- Pre-Heating of Oils
- Laboratory Applications
- Heating of Beverages & Food Industry Liquids
- Medical Device Applications

SPECIFICATIONS:

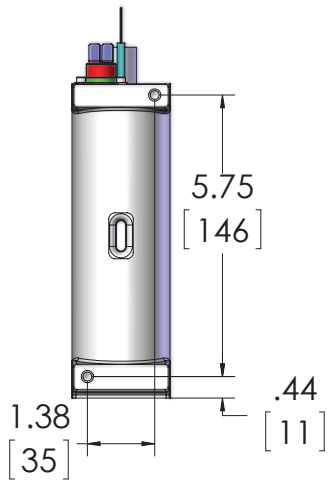
- Power:
 - Up to 1500 W
 - Voltage Range: 110 - 240 V
 - Max Line Current: 12.5 A
 - Tubing:
 - .250" OD (1/4") (6.3 mm)
 - .035" Wall (.89 mm)
 - Overall Process Tube Length: 84" (2133 mm)
 - 316L Stainless Steel (standard)
 - Inconel (optional upgrade)
 - Passivated or Electro-Polished (optional upgrades)
 - Max Pressure: 5100 psi (351 bar)
 - Enclosures:
 - No Enclosure
 - NEMA 1 (general-purpose/dust-proof)
 - NEMA 4 (moisture-resistant)
 - NEMA 7 (explosion-proof)
 - Max Working Temperatures:
 - No Enclosure: 392°F (200°C)
 - NEMA 1 (dust-proof/general-purpose): 250°F (121°C)
 - NEMA 4 (moisture-resistant): 250°F (121°C)
 - NEMA 7 (explosion-proof): 392°F (200°C)
- Published temperatures are for housing at 12 o'clock position; higher temps may be possible at 6 o'clock position. See factory for details.
- Sensors:
 - K or J Type Thermocouples Standard
 - Snap-Action High-Limit Thermostat (no housing)
 - Available Accessories:
 - Insulating Jackets
 - Compression Fittings

FEATURES & BENEFITS:

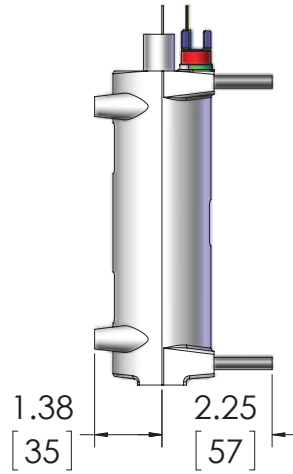
- SS 316L Fluid Path is Separate from Heating Elements (allows safe heating of sensitive materials and prevents contamination)
- Compatible with High Pressure Applications
- Self-Draining, to Reduce Material Entrapment
- Long-Lifespan, Low-Maintenance Design
- Non-Welded Construction Virtually Eliminates Leakage
- Quick Heating Response Due to Low Mass
- Small Size Enables Easy Integration into Larger Machines

CAST-X 500 Circulation Heater

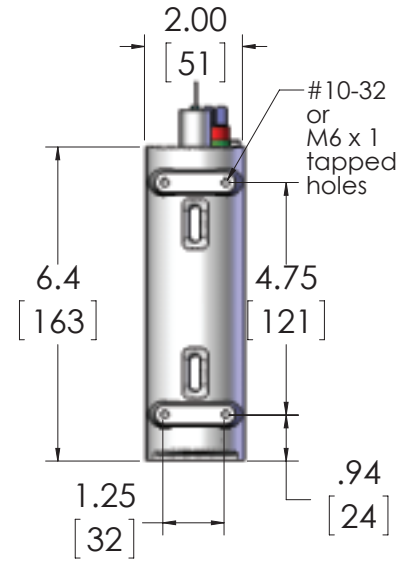
NO ENCLOSURE



NO ENCLOSURE

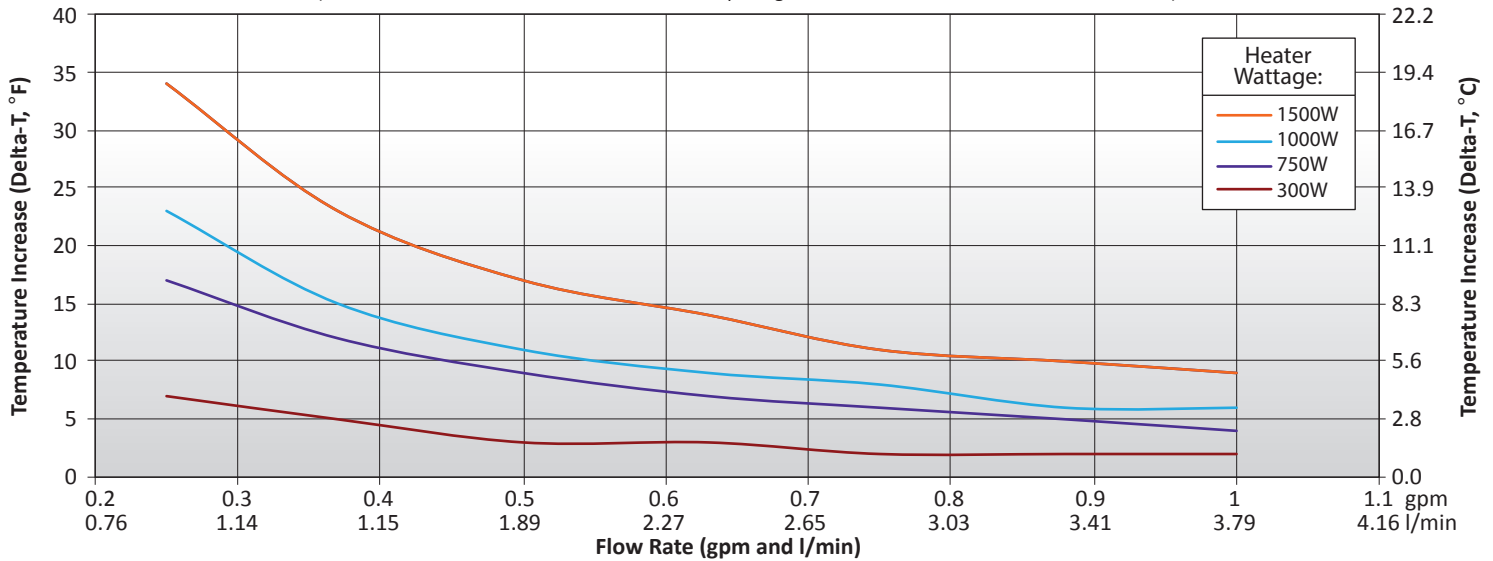


NO ENCLOSURE



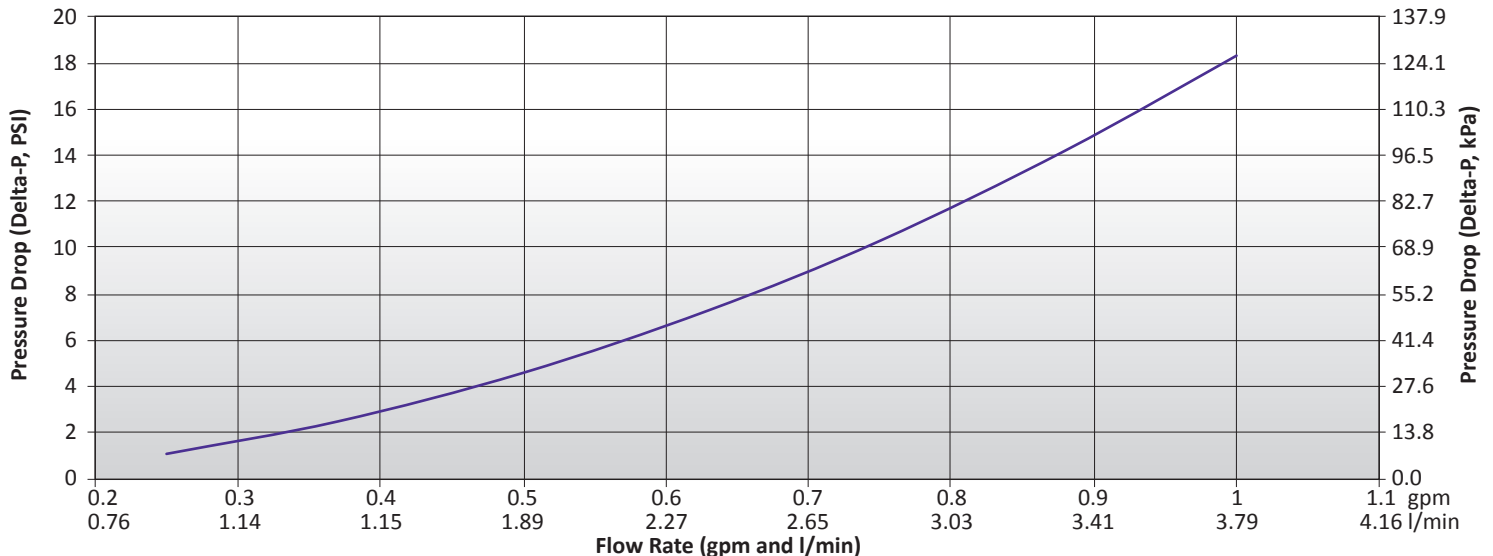
CAST-X 500 Heating Profile: Delta-T Water

(Process Fluid = Water @ 42°F / 5.6°C Inlet Temp, Single Pass, 100% Power, Set Point 752°F / 400°C)

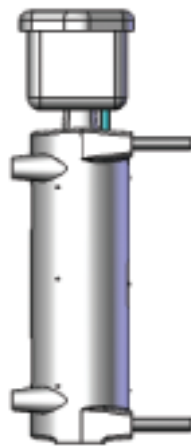
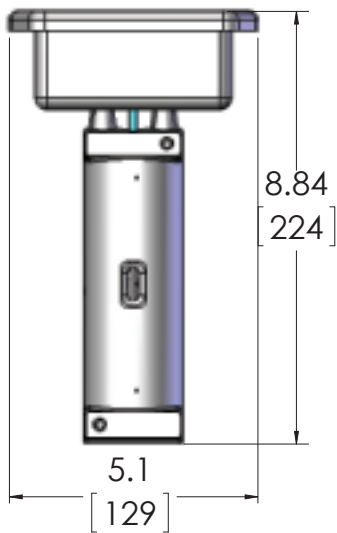


CAST-X 500 Pressure Drop Profile: Delta-P Water

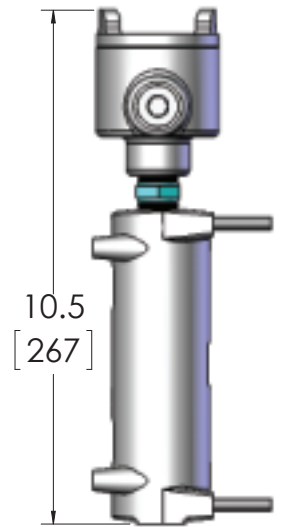
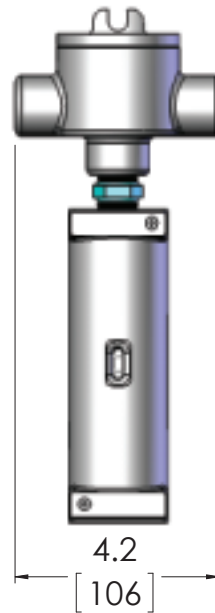
(Process Fluid = Water. Change in Pressure from Inlet to Outlet, Single Pass)



GENERAL-PURPOSE (NEMA 1) AND MOISTURE-RESISTANT (NEMA 4) ENCLOSURE

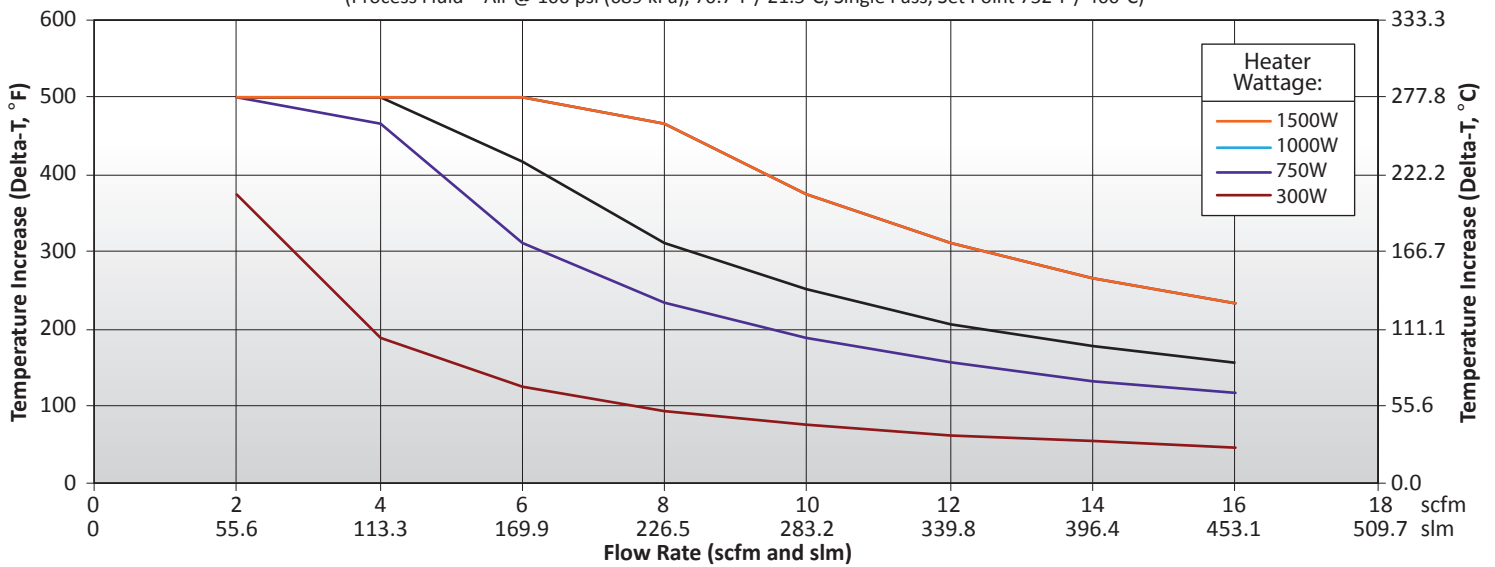


EXPLOSION-PROOF (NEMA7) ENCLOSURE



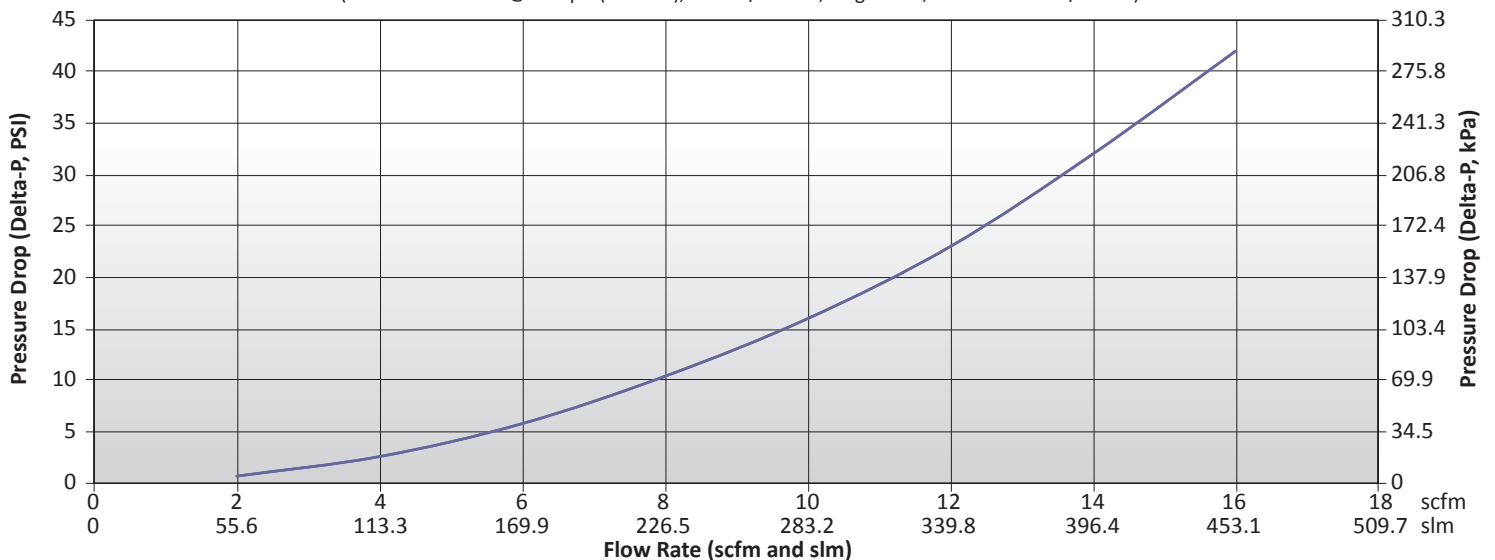
CAST-X 500 Heating Profile: Delta-T Air

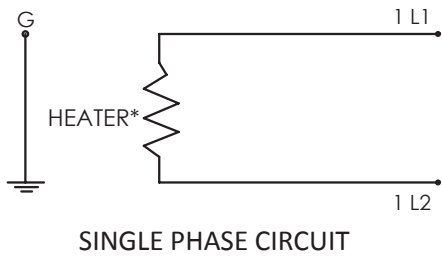
(Process Fluid = Air @ 100 psi (689 kPa), 70.7°F / 21.5°C, Single Pass, Set Point 752°F / 400°C)



CAST-X 500 Heating Profile: Delta-P Air

(Process Fluid = Air @ 100 psi (689 kPa), 70.7°F / 21.5°C, Single Pass, Set Point 752°F / 400°C)





CAST-X 500 Available Circuit Types

The CAST-X 500 is available with a single heating element. The basic heating unit features one internal cartridge heater.

*Wiring schematic only shows heater elements. Refer to I&M Manual for further details on wiring of snap-action switches and thermostats (if applicable).



NO ENCLOSURE OPTION



NEMA 1 AND NEMA 4 ENCLOSURE



NEMA 7 ENCLOSURE



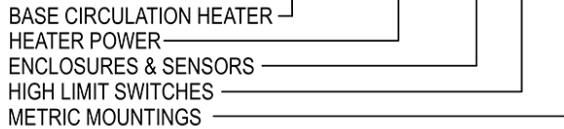
SOUTHEAST THERMAL SYSTEMS

WWW.SETHERMAL.COM

RFQ@SEETHERMAL.COM

PHONE: 704-399-4248

WX6E2A AAAA-BBCC-D



Electropolished Flow-Tubes = Add "EP" to end of Part Number
 Passivated Flow-Tubes = Add "P" to end of Part Number
 For both, add "EP-P"

Building a CAST-X 500 Part Number
 Assigning numbers for sections AAAA, BB and CC.
 For metric mountings, assign "M" to section D.
 If metric mounts are not needed, leave sec. D blank.
 For assistance or special orders, contact CAS directly.

VOLTAGE, POWER, CIRCUIT TYPE				
<i>Volts refers to line volts (VL). Amps refers to line current (IL).</i>				
Section "AAAA"	Circuit Type (all are single circuit)	Volts (V)	Watts (W)	Amps (A)
300A	Single Phase	240	1200	5.0
		230	1100	4.8
		208	900	4.3
		120	300	2.5
300B	Single Phase	120	1500	12.5
300C	Single Phase	240	300	1.3
		230	275	1.2
		208	225	1.1
		120	75	0.6
300D	Single Phase	240	500	2.1
		230	460	2.0
		208	375	1.8
		120	125	1.0
300E	Single Phase	240	750	3.1
		230	690	3.0
		208	560	2.7
		120	185	1.6
300F	Single Phase	240	1000	4.2
		230	920	4.0
		208	750	3.6
		120	250	2.1
300G	Single Phase	240	1200 same as 300A	5.0
300H	Single Phase	240	1500	6.3
		230	1380	6.0
		208	1125	5.4
		120	375	3.1
300J	Single Phase	208	1125 Same as 300H	5.4
300K	Single Phase	208	900 Same as 300A	4.3
300L	Single Phase	208	750 Same as 300F	3.6
300M	Single Phase	208	565	2.7
		120	190	1.6

ENCLOSURES AND TEMPERATURE SENSORS			
<i>All thermocouples are ungrounded, for optimal performance.</i>			
Section "BB"	Description	No. of Sensors	Enclosure
00	No Sensor	0	No Enclosure
0J	J-Type Thermocouple in Thermowell	1	No Enclosure
0L	Dual J-Type Thermocouple in Thermowell	1 Probe, 2 Sets of Wires	No Enclosure
0K	K-Type Thermocouple in Thermowell	1	No Enclosure
0M	Dual K-Type Thermocouple in Thermowell	1 Probe, 2 Sets of Wires	No Enclosure
0R	RTD, Single, 3 Wires, 100 Ohm, in Thermowell	1	No Enclosure
S0	No Sensor	0	NEMA 1
SJ	J-Type Thermocouple in Thermowell	1	NEMA 1
SL	Dual J-Type Thermocouple in Thermowell	1 Probe, 2 Sets of Wires	NEMA 1
SK	K-Type Thermocouple in Thermowell	1	NEMA 1
SM	Dual K-Type Thermocouple in Thermowell	1 Probe, 2 Sets of Wires	NEMA 1
SR	RTD, Single, 3 Wires, 100 Ohm, in Thermowell	1	NEMA 1
W0	No Sensor	0	NEMA 4
WJ	J-Type Thermocouple in Thermowell	1	NEMA 4
WL	Dual J-Type Thermocouple in Thermowell	1 Probe, 2 Sets of Wires	NEMA 4
WK	K-Type Thermocouple in Thermowell	1	NEMA 4
WM	Dual K-Type Thermocouple in Thermowell	1 Probe, 2 Sets of Wires	NEMA 4
WR	RTD, Single, 3 Wires, 100 Ohm, in Thermowell	1	NEMA 4
E0	No Sensor	0	NEMA 7
EJ	J-Type Thermocouple in Thermowell	1	NEMA 7
EK	K-Type Thermocouple in Thermowell	1	NEMA 7

SNAP ACTION HIGH LIMITS SWITCHES	
<i>Available only with "No Enclosure" options</i>	
Section "CC"	Switch
00	None
01	Manual Reset, 260°F (127°C)
02	Automatic Reset, 250°F (121°C)

METRIC MOUNTING HOLES	
<i>Place an "M" in section D if metric mounting holes are required. If standard Imperial mounting holes are desired, sec. D can be left blank</i>	
Section "D"	Metric Mounting Holes
M	M6 X 1.00 Metric Tapped Mounting Holes

VALUE ADDED OPTIONS FOR FLOW-TUBES	
<i>If you need electropolished or passivated flow-tubes, add these letters to the end of your part number. For both, indicate "EP-P"</i>	
PN Adder	Additional Service
P	Passivation: To Clean Flow-Tube ID (Uses a Diluted Nitric Acid Flush)
EP	Electropolished Tube ID: Ra Value: 10 Micro-Inches (.254 Micro-Meters)

ACCESSORIES	
<i>These PNs are totally separate from the PNs for the heater</i>	
Part Number	Component
274-55-6-1	Compression Fittings (High Pressure), Pair (Shipped Loose)
307-0-12-1	Insulation Jacket, Maximum Temperature 400°F (204°C)



**SOUTHEAST
THERMAL SYSTEMS**